

BROWN JORDAN

OUTDOOR KITCHENS



PROFESSIONAL BBQ HOOD SERIES

Enhance your BBQ Grilling and capture the professional chef's experience.



An Industry First!

Generously proportioned **32" depth** of hood provides an exceptional capture area for BBQ grilling

DISTINCTIVE DESIGN:

- Style complements all outdoor custom stainless steel designs
- Simplicity of design and function is preferred by home owners
- Available in 36", 48" and 60" widths
- Design of the stainless steel commercial baffle filters adds a professional form

ENDURING QUALITY:

- Two internal sealed motors deliver 1200 CFM
- Heavy gauge commercial stainless steel (#304 grade)
- Four — 12" by 15" baffle filters improve performance (six filters on 48", eight filters on 60")
- Dimmable 50 watt halogen lights
- Optional in-line blowers deliver 1266 CFM (10" diameter ducting) (purchased separately)

FLEXIBILITY IN DESIGN:

- Also available as liners only for customer built-in applications

QUIET OPERATION:

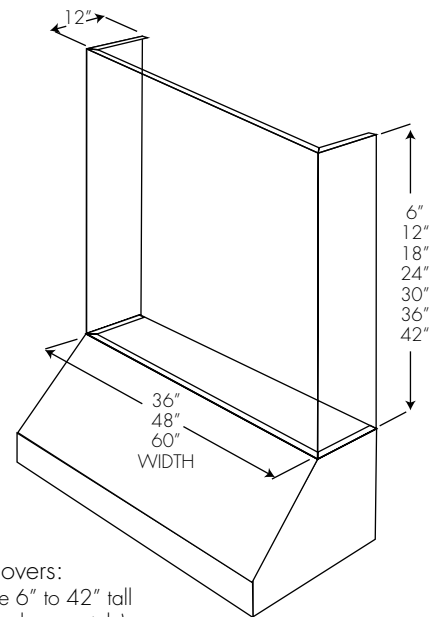
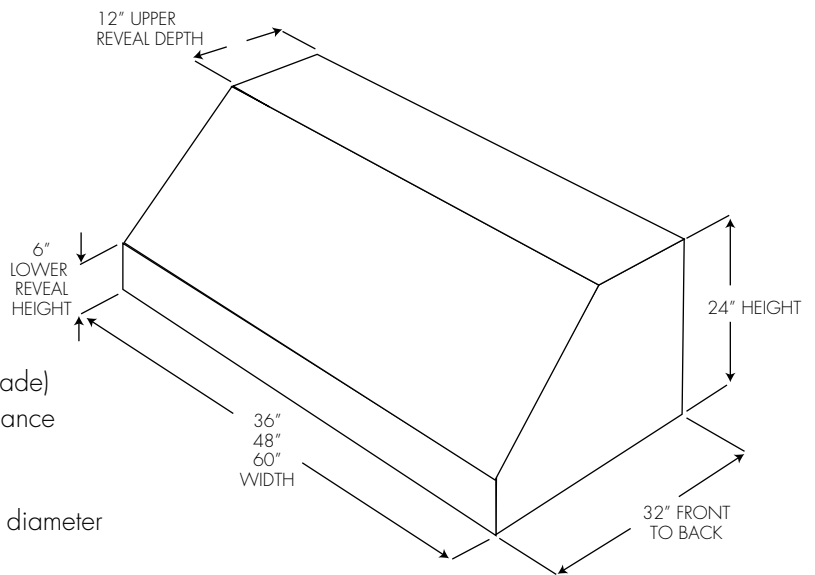
- Rubber-mounted motor & large squirrel cage blowers reduce both sound and vibration
- 3-speed motor control reduces blower and air movement sound
- Large commercial baffle filters reduce air movement sound
- Backdraft damper
- Optional 10" Duct Silencer for in-line blowers (purchased separately)

EASY INSTALLATION:

- Remote blower models are pre-wired for use with most in-line or exterior blowers
- Hoods with internal blowers are all pre-wired and pre-assembled
- Top or rear discharge

EASY CLEANING:

- Durable, dishwasher safe commercial baffle filters
- All stainless steel exterior design is easy to keep clean and eliminates grease traps



Duct Covers:
available 6" to 42" tall
(purchased separately)

BROWN JORDAN
OUTDOOR KITCHENS