

BROWN JORDAN[®]
OUTDOOR KITCHENS

CUBE
SPECIFICATION GUIDE



ABOUT

WHO WE ARE	4
MODULAR DESIGN	6
STYLE & CONSTRUCTION	7
CABINET FEATURES	8
CABINET USAGE	10
DESIGN GUIDELINES	11

CABINETRY

BASE CABINETS	12
BASE CABINETS - NESTED DRAWER	13
TRASH CABINETS	14
GRILL CABINETS (DRAWERS)	15
GRILL CABINETS (DOORS)	16
GRILL CABINETS - CALIBER	17
GRILL CABINETS - FLAMMKRAFT (DOORS)	18
GRILL CABINETS - FLAMMKRAFT (DRAWERS)	19
SINK CABINETS (1 DOOR)	20
SINK CABINETS (2 DOORS)	22
REFRIGERATOR CABINETS	24
GARAGE BASES	26
UNDERCOUNTER APPLIANCE FILLER	27
FRONT CORNER FILLERS	28
REAR CORNER VOID SUPPORT	29
FRONT FILLERS	30
FLUSH END PANELS	31
BACK PANELS	32
STANDARD LEGS	33
TOE KICK	34

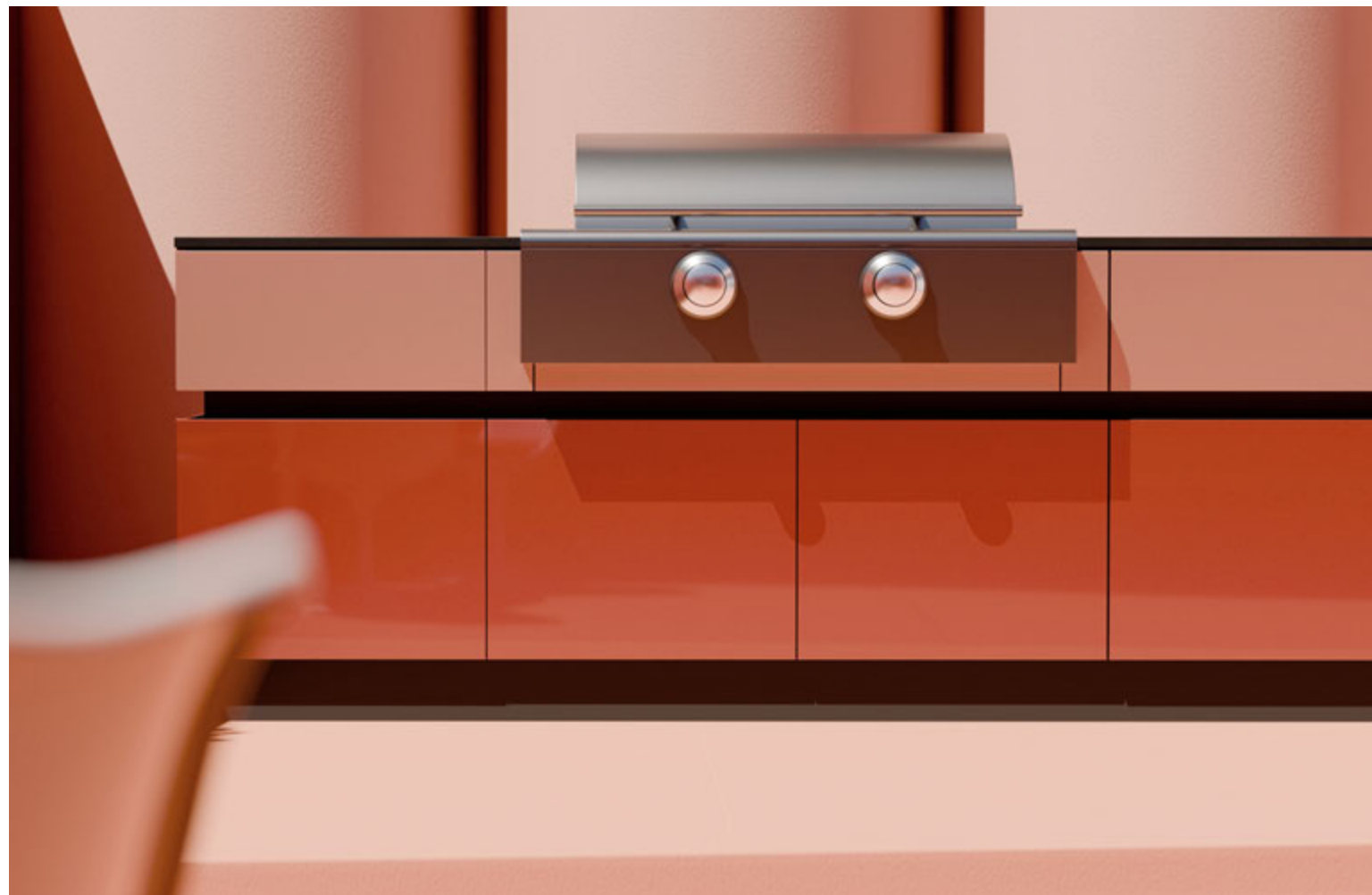
WHO WE ARE

Brown Jordan® Outdoor Kitchens™ is the result of a special partnership between Denver Stainless Outdoor Kitchens, the experts in stainless steel outdoor kitchens, and Brown Jordan®, the premier manufacturer of luxury outdoor furniture.

Our 100% stainless steel cabinetry is made-to-order in the USA, ensuring that the specifications of your project are unique to you. We believe that pure and uncompromised design cannot exist without quality and freedom, which is why we offer dozens of styles and colors, as well as hundreds of sizes.

Brown Jordan Outdoor Kitchens combines quality, durability, and engineering perfection, along with best-in-class color, style, and design. We bring your vision to life with striking attention to detail and a high-quality finish that will provide a lifetime of durability and beauty in your outdoor living space.





STYLE & CONSTRUCTION

- All drawers and cabinet boxes are manufactured from 20g 304 stainless steel or choose to upgrade to 316 marine grade.
- Standard 31.75" high cabinet boxes plus 4.5" leveling legs adjustable from 3.75" to 5.75".
- Magnets and concealed hinges are standard on all cabinets with doors. Weather-resistant gaskets are applied on all doors and drawers.
- All drawers feature full extension, soft-close glides.
- Pre-cut access holes to accommodate plumbing, electrical and required ventilation.
- CUBE cabinetry utilizes drain channels to allow water to pass through the bottom and sides of the cabinets' construction. Water can pass through lower drawers during inclement weather conditions. For additional weather resistance, the kitchen can be installed in covered outdoor spaces.

MODULAR DESIGN

CUBE is a special collection by Brown Jordan Outdoor Kitchens that brings sophisticated cabinetry design to outdoor spaces.

CUBE pushes the boundaries of stainless steel cabinetry with its architecturally inspired design. The modules of CUBE can be finished in monochromatic or contrasting powder coat finishes using any of the options in our collection or Brushed Stainless Steel.

With clean lines and brilliant colors, CUBE is a testament to the creativity of stainless steel.



CABINET FEATURES

To provide a finished look from all angles, left- and right-side flush end panels are added to end cabinets as needed. The optional side and back panels make the CUBE collection highly versatile, enabling stylish solutions for kitchen islands or smaller sections of cabinetry.



Top section can be finished in any powder coat color from our collection or Brushed Stainless Steel. Shown in Autumn.

Riser between top and bottom sections is standard in Midnight Matte powder coat.

Drawer interiors can be finished in Brushed Stainless Steel or wood grain powder coat finish. Shown in Walnut Wood Grain powder coat finish.

Bottom drawers feature a nested drawer for additional convenience and extra storage.

Bottom section can be finished in any powder coat color from our collection or brushed stainless steel. Shown in Brushed Stainless Steel finish.

Midnight Matte powder coated toe kick provides an elegant finish the bottom of your cabinets.



CUBE finished in matching Military Blue powder coat on both top and bottom sections



CUBE finished in Autumn powder coat on top section and Brushed Stainless Steel on bottom section

POWDER COAT OPTIONS

- Bottom section: specify a powder coat finish or Brushed Stainless Steel.
- Top section: specify the same powder coat finish as the bottom section or Brushed Stainless Steel. As an upgrade, choose a contrasting powder coat finish.
- The standard drawer interior finish is Brushed Stainless Steel. As an upgrade, choose a wood grain powder coat finish.
- The standard cabinet interior is powder coated corresponding to the top and bottom powder coat selections. As an option, choose Brushed Stainless Steel.
- Nested drawer fronts will match the bottom section powder coat color selection. If a wood grain powder coat is chosen for the drawer interior, the nested drawer fronts will be finished in the matching wood grain powder coat.
- Risers and toe kicks are finished in Midnight Matte powder coat.

DESIGN GUIDELINES

All CUBE cabinets and accessories use the prefix: CUBE. This is designed to help you find the specific CUBE part needed.

Base Cabinet part number nomenclature

using CUBE OBS3602 LEFT BP as example

Prefix	Category (Base)	Style (Sink)	Width (Inches)	Drawer(s)	Door(s)	Side Panels	Back Panels
CUBE	OB	S	36	0	2	LEFT	BP

BASE CATEGORY CODE KEY	
Outside Base	OB
Outside Grill	OG

BASE STYLE CODE KEY	
Burner (or Base)	B
Garage	G
Multi-Drawer	M
Sink	S
Trash	T

CABINET USAGE

- On cabinets that are joined to cabinets on both sides, riser extends the full width of cabinet.
- On end cabinets without back panels (NO BP), riser extends the full depth of cabinet.
- On LEFT cabinets, riser is recessed on the left side and flush with the right side of cabinet.
- On RIGHT cabinets, riser is recessed on the right side and flush with the left side of cabinet.
- On LEFT NO BP cabinets, riser is recessed on the left side and extends the depth of cabinet.
- On RIGHT NO BP cabinets, riser is recessed on the right side and extends the depth of cabinet.
- Undercounter appliances cannot be used at the end of a run. Grill bases can be used anywhere in the run.
- Be certain to specify left or right flush end panels (OFE) for bases at the end of a run for any visible sides.

DESIGN GUIDELINES



CORNER PLACEMENT

When a cabinetry run is placed in a physical corner with walls, Flush End Panels (OFE) and Back Panels (OBP) are not needed.

- Use OBM/OBT/OGB NO BP for the end cabinet that meets the corner.
- The recessed riser is extended on the front to be flush with end of cabinetry.
- No OBP or OFE parts needed for corner placement.



BACK WALL PLACEMENT

When a cabinetry run is placed against a back wall, Back Panels (OBP) are not needed.

- Use OBM/OBT/OGB LEFT NO BP for a left exposed side or RIGHT NO BP for a right exposed side.
- The recessed riser is extended on the side to be flush with back of cabinetry.
- Add OFE TOP and OFE BOTTOM Flush End Panels on exposed side as needed.



KITCHEN ISLAND PLACEMENT

When a cabinetry run functions as an island, it will be finished on all sides.

- Use OBM/OBT/OGB LEFT BP or RIGHT BP for end cabinets.
- The riser is recessed on all sides except for where it connects to the rest of the run.
- OBP Back Panels included. Add OFE Flush End Panels as needed.

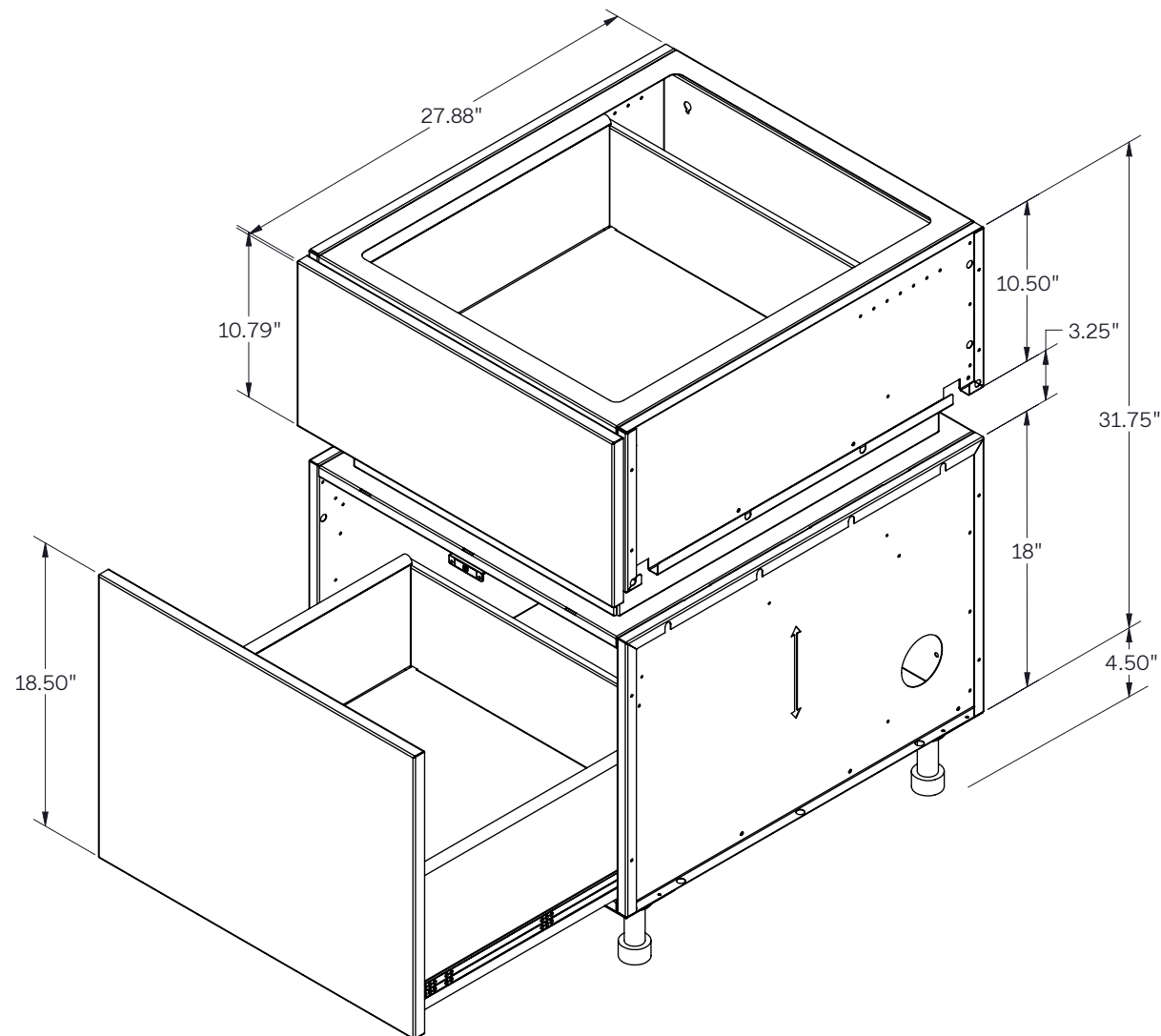
BASE CABINETS

OBMXX20

CUBE OBMxx20 Outdoor Base Cabinets feature 2 drawers. Available in 18", 21", and 24" widths in 3" increments.

SKUs

18" width	21" width	24" width
CUBE OBM1820-BP	CUBE OBM2120-BP	CUBE OBM2420-BP
CUBE OBM1820-NO BP	CUBE OBM2120-NO BP	CUBE OBM2420-NO BP
CUBE OBM1820-LEFT BP	CUBE OBM2120-LEFT BP	CUBE OBM2420-LEFT BP
CUBE OBM1820-RIGHT BP	CUBE OBM2120-RIGHT BP	CUBE OBM2420-RIGHT BP
CUBE OBM1820-LEFT NO BP	CUBE OBM2120-LEFT NO BP	CUBE OBM2420-LEFT NO BP
CUBE OBM1820-RIGHT NO BP	CUBE OBM2120-RIGHT NO BP	CUBE OBM2420-RIGHT NO BP



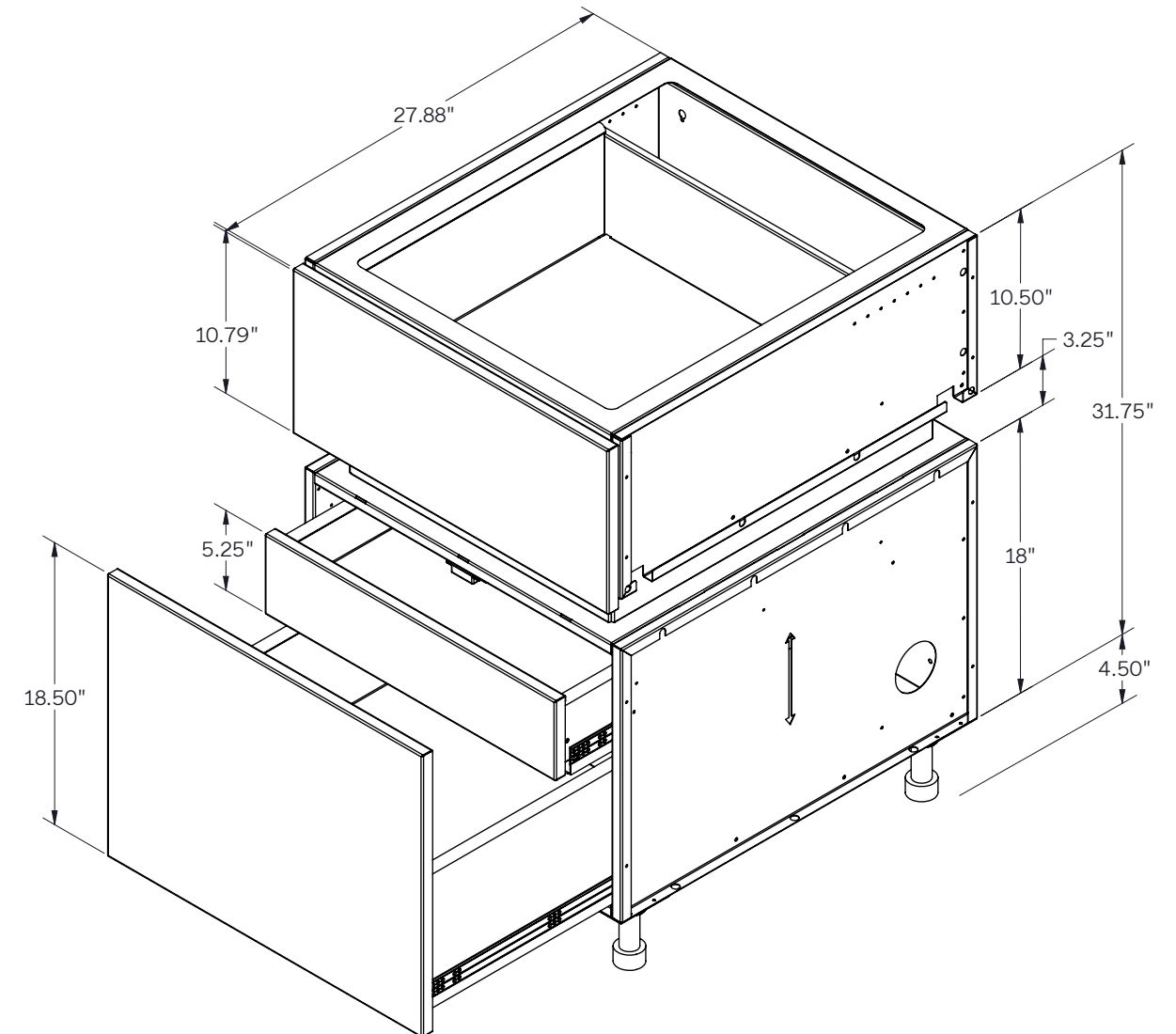
BASE CABINETS - NESTED DRAWER

OBMXX30N

CUBE OBMxx30N Outdoor Base Cabinets feature 2 drawers with an additional nested drawer inside lower drawer. Available in 18", 21", and 24" widths in 3" increments.

SKUs

18" width	21" width	24" width
CUBE OBM1830N-BP	CUBE OBM2130N-BP	CUBE OBM2430N-BP
CUBE OBM1830N-NO BP	CUBE OBM2130N-NO BP	CUBE OBM2430N-NO BP
CUBE OBM1830N-LEFT BP	CUBE OBM2130N-LEFT BP	CUBE OBM2430N-LEFT BP
CUBE OBM1830N-RIGHT BP	CUBE OBM2130N-RIGHT BP	CUBE OBM2430N-RIGHT BP
CUBE OBM1830N-LEFT NO BP	CUBE OBM2130N-LEFT NO BP	CUBE OBM2430N-LEFT NO BP
CUBE OBM1830N-RIGHT NO BP	CUBE OBM2130N-RIGHT NO BP	CUBE OBM2430N-RIGHT NO BP



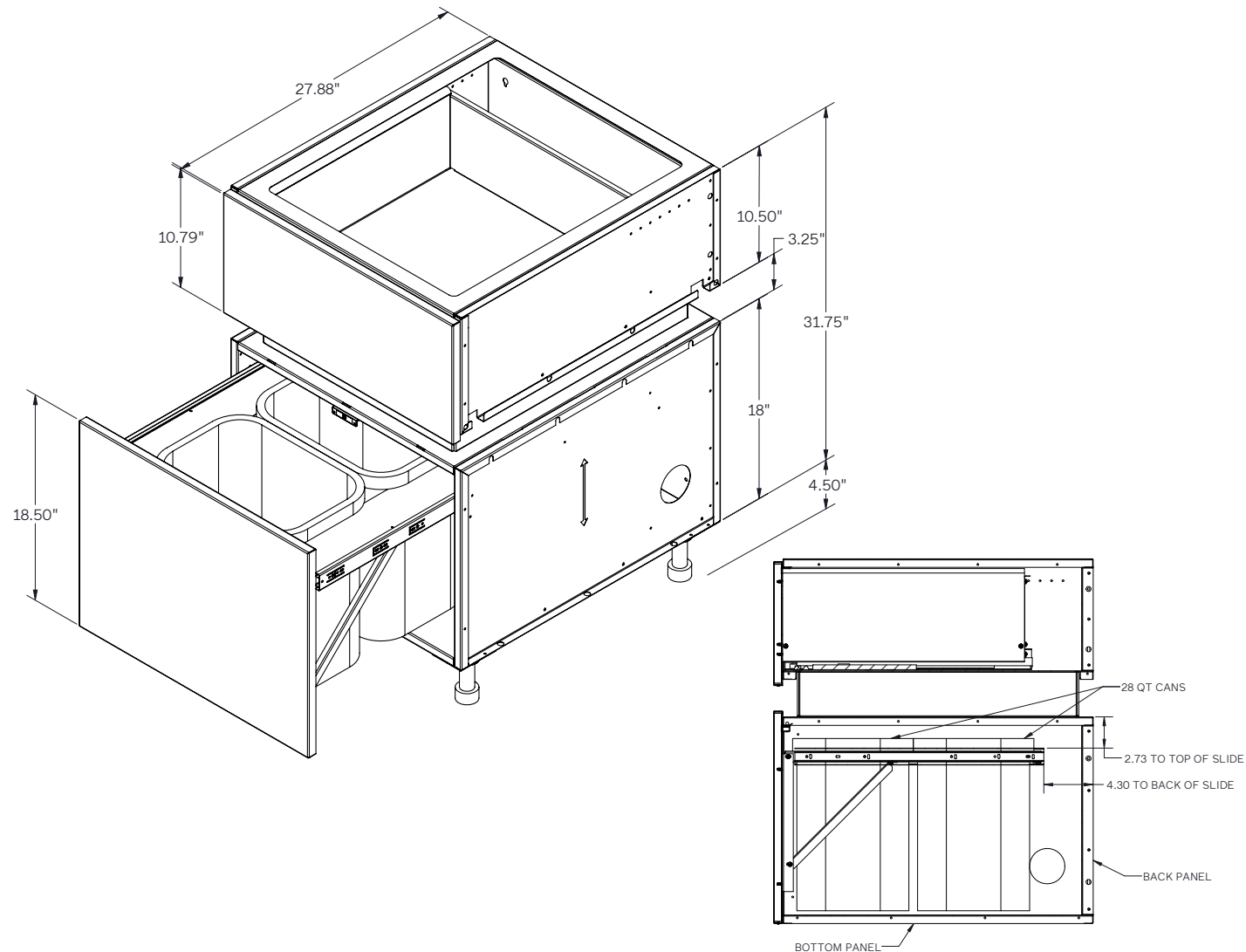
TRASH CABINETS

OBTXX10

CUBE OBTxx10 Outdoor Trash Cabinets feature trash bin drawer and storage drawer. Available in 18", 21", and 24" widths in 3" increments. Lower drawer fits two 28qt trash bins (in all cabinet widths).

SKUs

18" width	21" width	24" width
CUBE OBT1810-BP	CUBE OBT2110-BP	CUBE OBT2410-BP
CUBE OBT1810-NO BP	CUBE OBT2110-NO BP	CUBE OBT2410-NO BP
CUBE OBT1810-LEFT BP	CUBE OBT2110-LEFT BP	CUBE OBT2410-LEFT BP
CUBE OBT1810-RIGHT BP	CUBE OBT2110-RIGHT BP	CUBE OBT2410-RIGHT BP
CUBE OBT1810-LEFT NO BP	CUBE OBT2110-LEFT NO BP	CUBE OBT2410-LEFT NO BP
CUBE OBT1810-RIGHT NO BP	CUBE OBT2110-RIGHT NO BP	CUBE OBT2410-RIGHT NO BP



OBT2420 Cross Section Dimensions

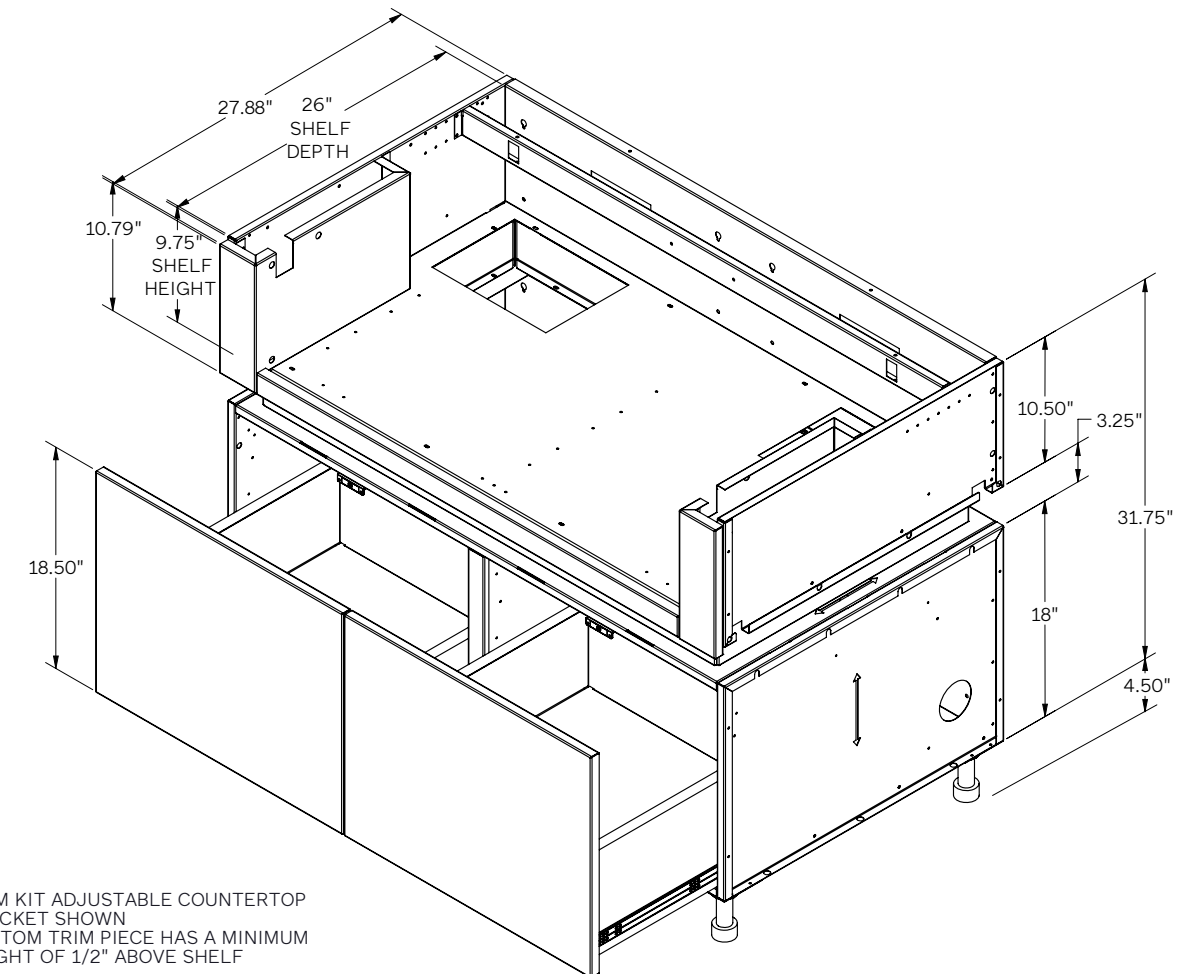
GRILL CABINETS (DRAWERS)

OGBXX20

CUBE OGBxx20 Outdoor Grill Cabinets feature 2 drawers in the bottom section of cabinets. Available in 42" and 48" widths. Grill cabinets come with a trim kit (OGTK) to accommodate grill appliances. Propane storage is unavailable.

SKUs

42" width	48" width
CUBE OGB4220-BP	CUBE OGB4820-BP
CUBE OGB4220-NO BP	CUBE OGB4820-NO BP
CUBE OGB4220-LEFT BP	CUBE OGB4820-LEFT BP
CUBE OGB4220-RIGHT BP	CUBE OGB4820-RIGHT BP
CUBE OGB4220-LEFT NO BP	CUBE OGB4820-LEFT NO BP
CUBE OGB4220-RIGHT NO BP	CUBE OGB4820-RIGHT NO BP



TRIM KIT ADJUSTABLE COUNTERTOP BRACKET SHOWN
BOTTOM TRIM PIECE HAS A MINIMUM HEIGHT OF 1/2" ABOVE SHELF

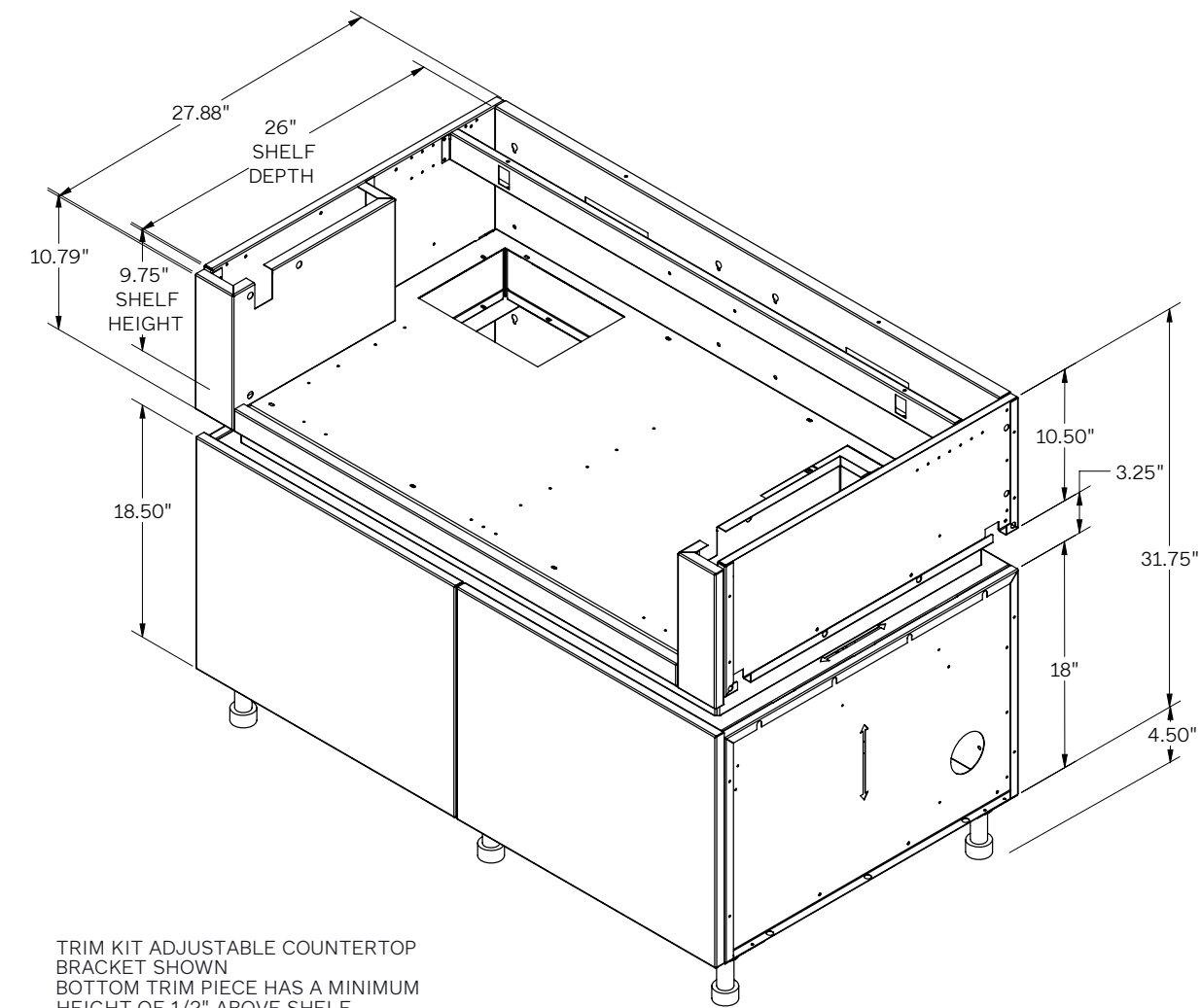
GRILL CABINETS (DOORS)

OGBXX02

CUBE OGBxx02 Outdoor Grill Cabinets feature 2 doors in the bottom section of cabinets. Available in 42" and 48" widths. Grill cabinets come with a trim kit (OGTK) to accommodate grill appliances. Propane storage is unavailable.

SKUs

42" width	48" width
CUBE OGB4202-BP	CUBE OGB4802-BP
CUBE OGB4202-NO BP	CUBE OGB4802-NO BP
CUBE OGB4202-LEFT BP	CUBE OGB4802-LEFT BP
CUBE OGB4202-RIGHT BP	CUBE OGB4802-RIGHT BP
CUBE OGB4202-LEFT NO BP	CUBE OGB4802-LEFT NO BP
CUBE OGB4202-RIGHT NO BP	CUBE OGB4802-RIGHT NO BP



TRIM KIT ADJUSTABLE COUNTERTOP BRACKET SHOWN
BOTTOM TRIM PIECE HAS A MINIMUM HEIGHT OF 1/2" ABOVE SHELF

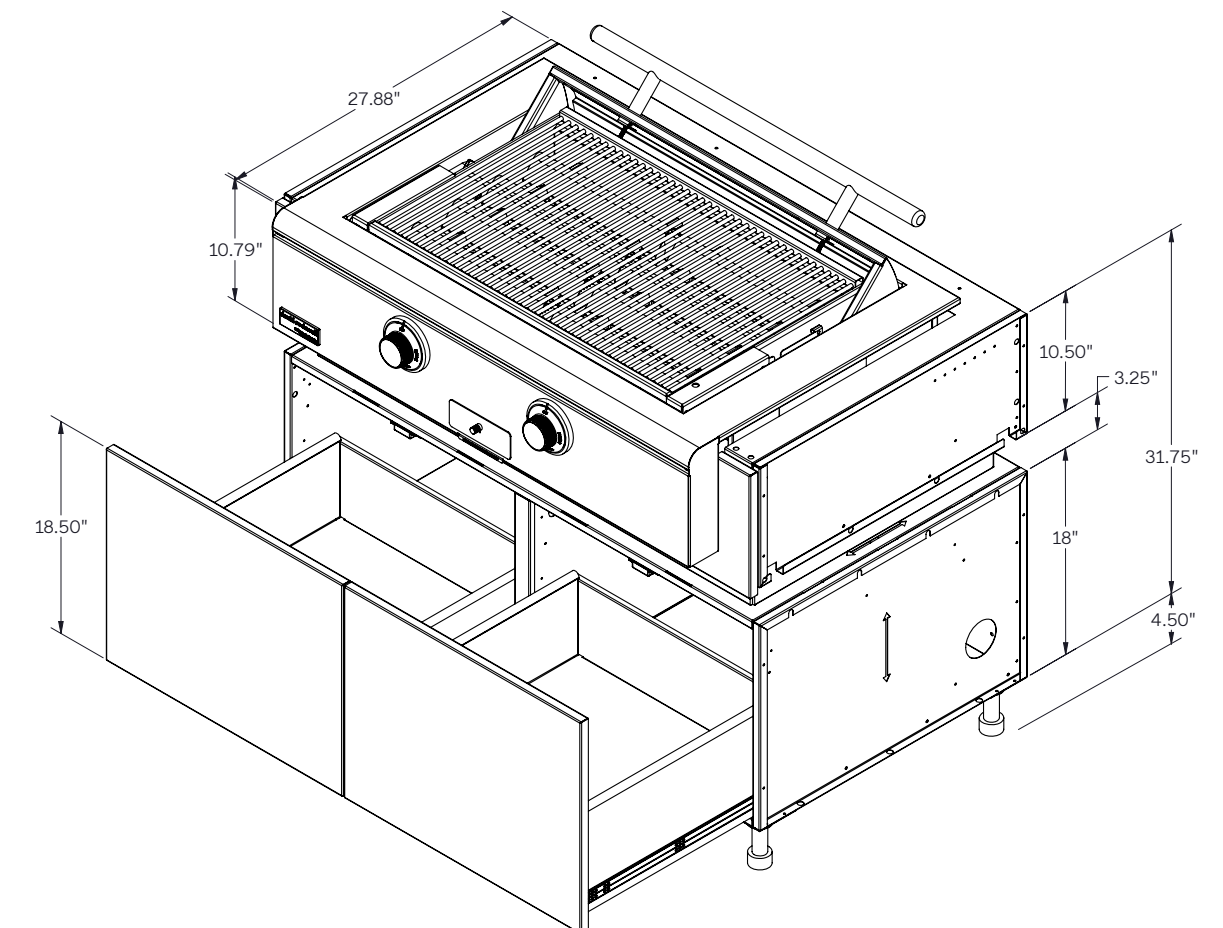
GRILL CABINETS - CALIBER

OGBXX20 CALIBER

CUBE OGBxx20 CALIBER Outdoor Grill Cabinets feature 2 drawers and are designed to fit a Caliber grill. Available in 48" width to fit 42" Caliber grill.

SKUs

48" width
CUBE OGB4820 CALIBER-BP
CUBE OGB4820 CALIBER-NO BP
CUBE OGB4820 CALIBER-LEFT BP
CUBE OGB4820 CALIBER-RIGHT BP
CUBE OGB4820 CALIBER-LEFT NO BP
CUBE OGB4820 CALIBER-RIGHT NO BP



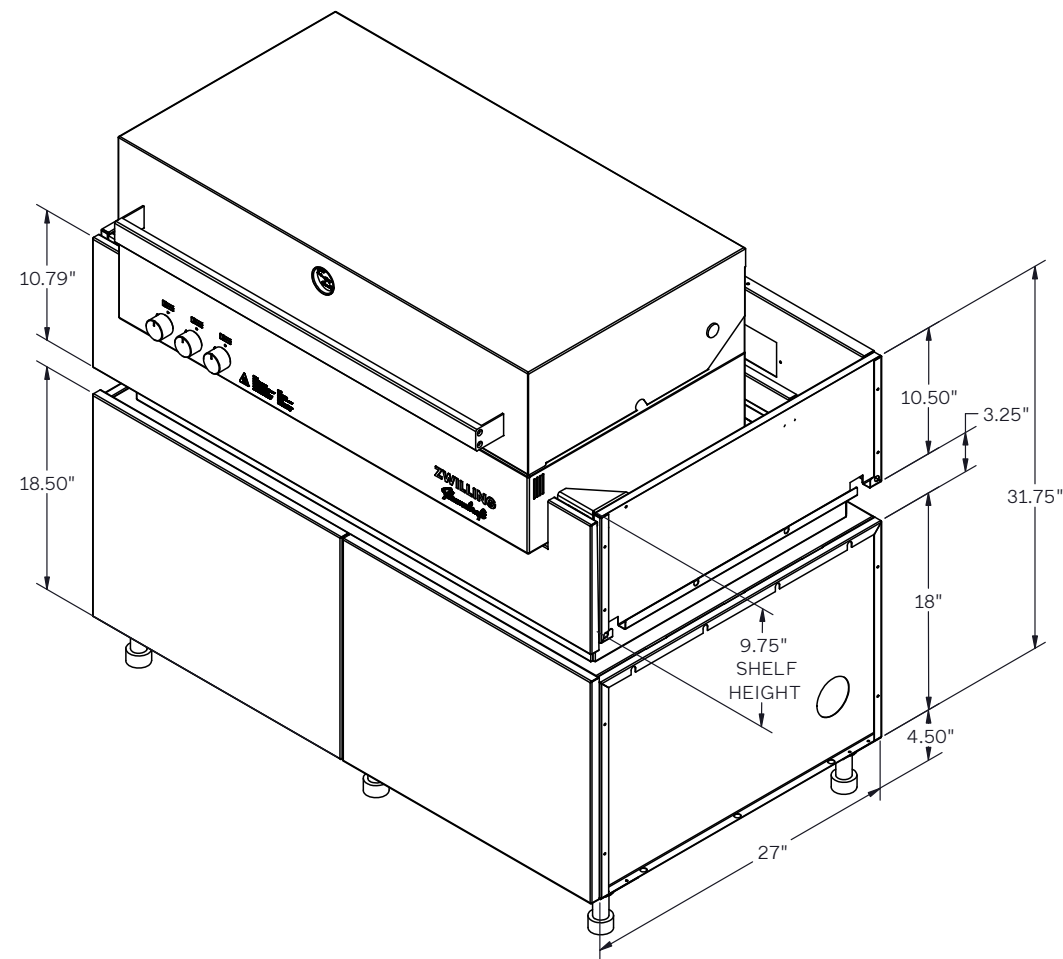
GRILL CABINETS - FLAMMKRAFT (DOORS)

OGBXX02H9.75 FLAMMKRAFT

CUBE OGBxx02H9.75 FLAMMKRAFT 48" W x 27" D Grill Base for Flammkraft Model D - 2 Full-Height Doors. 9.75" H shelf, 10.79" H trim kit sides. Back Panels Required. Specify countertop thickness to determine appropriate grill trim kit. Trim is a one piece hinged door with a push to open latch in the top left corner to access the clean out tray.

SKUs

48" width
CUBE OGB4802H9.75 FLAMMKRAFT-BP
CUBE OGB4802H9.75 FLAMMKRAFT-NO BP
CUBE OGB4802H9.75 FLAMMKRAFT-LEFT BP
CUBE OGB4802H9.75 FLAMMKRAFT-RIGHT BP
CUBE OGB4802H9.75 FLAMMKRAFT-LEFT NO BP
CUBE OGB4802H9.75 FLAMMKRAFT-RIGHT NO BP



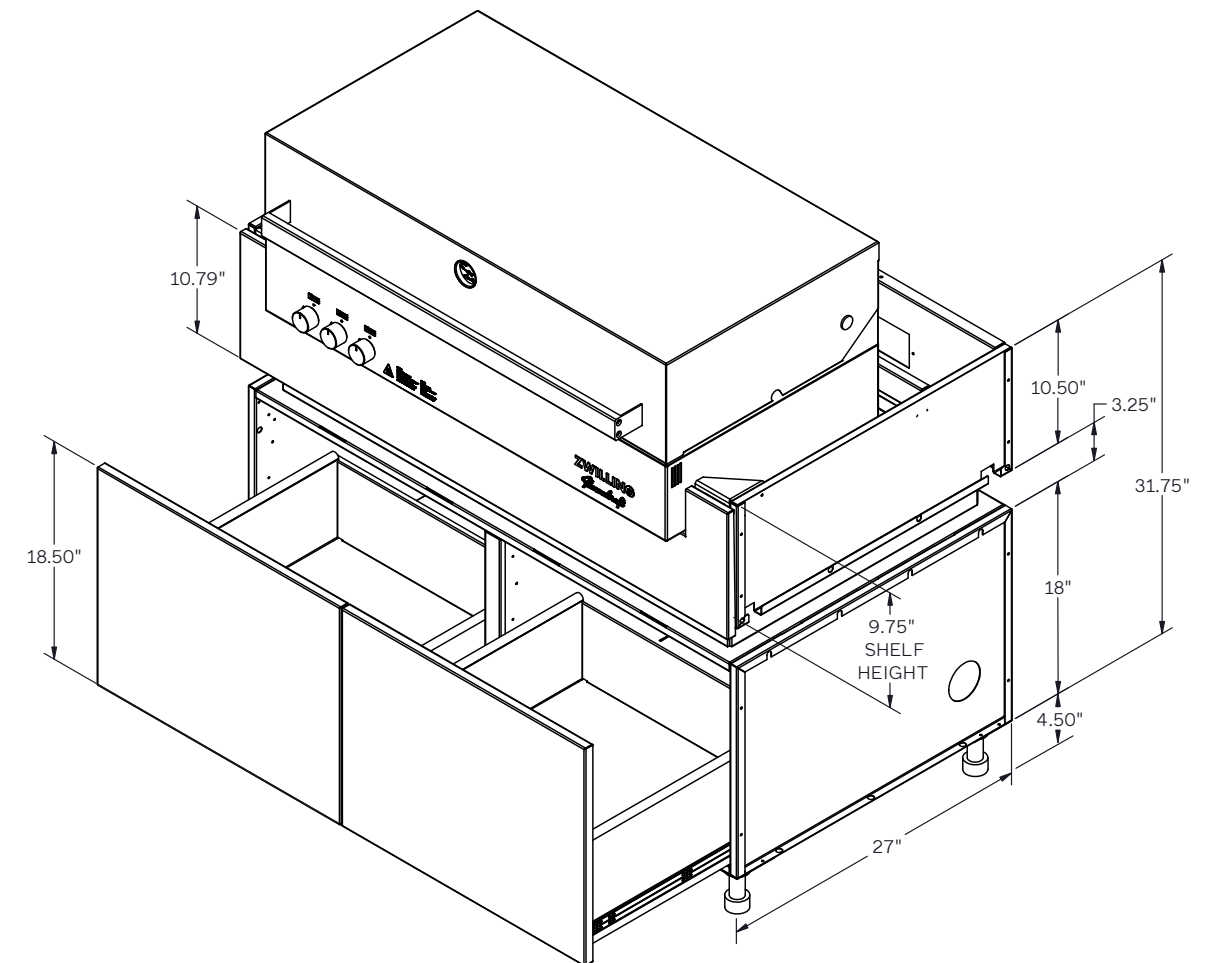
GRILL CABINETS - FLAMMKRAFT (DRAWERS)

OGBXX20H9.75 FLAMMKRAFT

CUBE OGBxx20H9.75 FLAMMKRAFT 48" W x 27" D Grill Base for Flammkraft Model D - 2 Full-Height Drawers. 9.75" H shelf, 10.79" H trim kit sides. Back Panels Required. Specify countertop thickness to determine appropriate grill trim kit. Trim is a one piece hinged door with a push to open latch in the top left corner to access the clean out tray.

SKUs

48" width
CUBE OGB4820H9.75 FLAMMKRAFT-BP
CUBE OGB4820H9.75 FLAMMKRAFT-NO BP
CUBE OGB4820H9.75 FLAMMKRAFT-LEFT BP
CUBE OGB4820H9.75 FLAMMKRAFT-RIGHT BP
CUBE OGB4820H9.75 FLAMMKRAFT-LEFT NO BP
CUBE OGB4820H9.75 FLAMMKRAFT-RIGHT NO BP



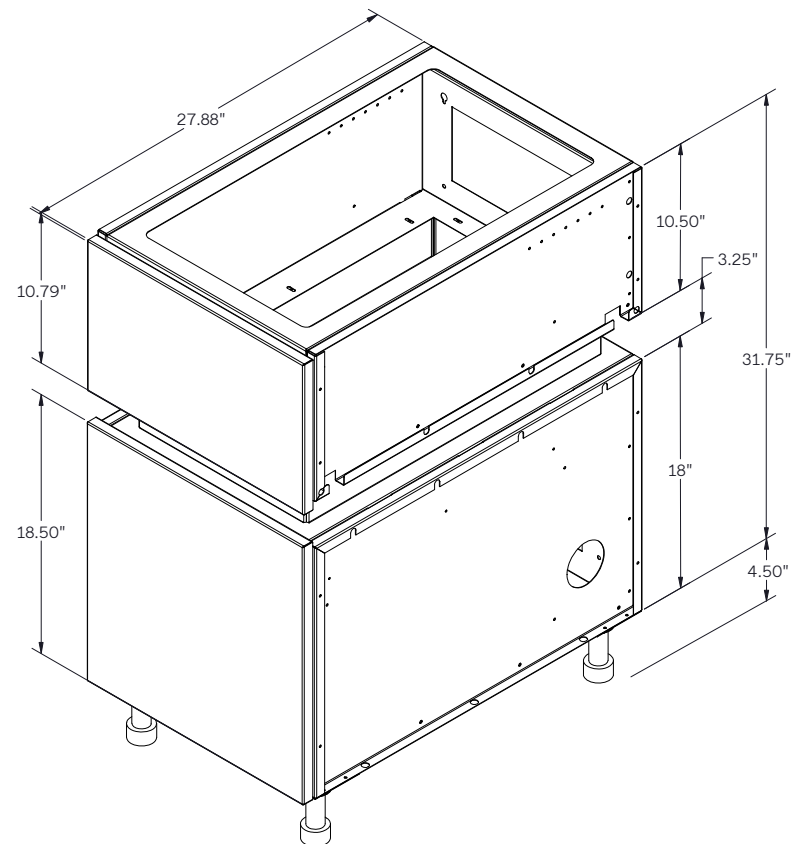
SINK CABINETS (1 DOOR)

OBSXX01

CUBE OBSxx01 Outdoor Sink Base Cabinets feature 1 door (left- or right-hinged). Available in 18", 21", and 24" widths in 3" increments. OBS cabinets can also be used to house drop-in appliances.

SKUs

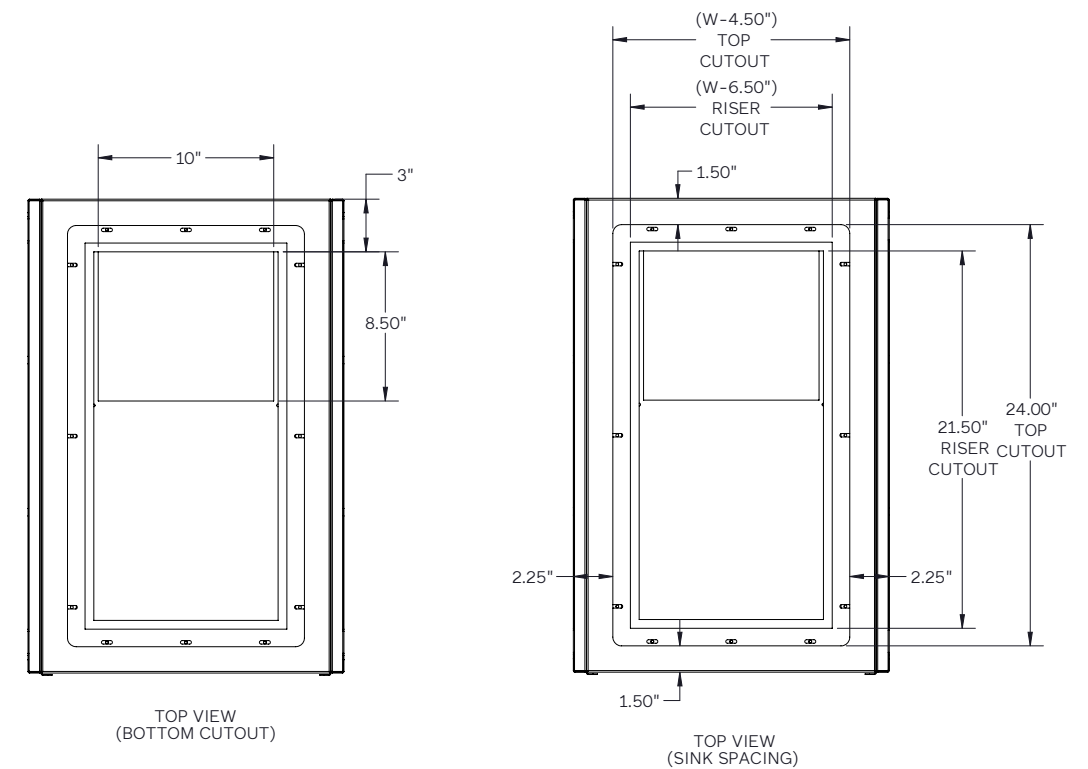
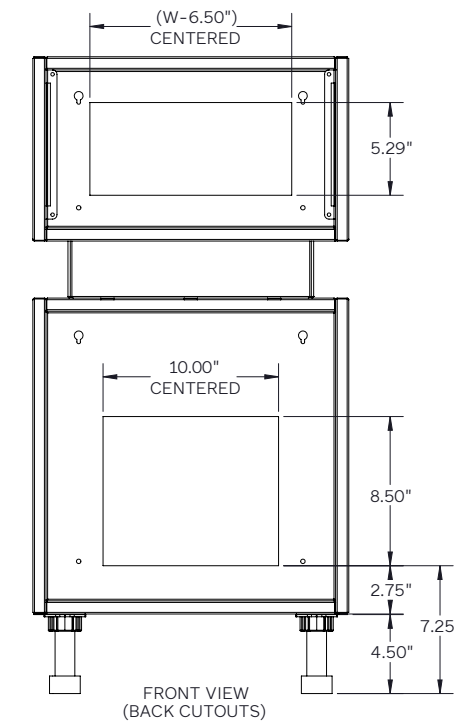
18" width	21" width	24" width
CUBE OBS1801 BP-LH	CUBE OBS2101-BP-LH	CUBE OBS2401-BP-LH
CUBE OBS1801 BP-RH	CUBE OBS2101-BP-RH	CUBE OBS2401-BP-RH
CUBE OBS1801 NO BP-LH	CUBE OBS2101-NO BP-LH	CUBE OBS2401-NO BP-LH
CUBE OBS1801 NO BP-RH	CUBE OBS2101-NO BP-RH	CUBE OBS2401-NO BP-RH
CUBE OBS1801-LEFT BP-LH	CUBE OBS2101-LEFT BP-LH	CUBE OBS2401-LEFT BP-LH
CUBE OBS1801-LEFT BP-RH	CUBE OBS2101-LEFT BP-RH	CUBE OBS2401-LEFT BP-RH
CUBE OBS1801-RIGHT BP-LH	CUBE OBS2101-RIGHT BP-LH	CUBE OBS2401-RIGHT BP-LH
CUBE OBS1801-RIGHT BP-RH	CUBE OBS2101-RIGHT BP-RH	CUBE OBS2401-RIGHT BP-RH
CUBE OBS1801-LEFT NO BP-LH	CUBE OBS2101-LEFT NO BP-LH	CUBE OBS2401-LEFT NO BP-LH
CUBE OBS1801-LEFT NO BP-RH	CUBE OBS2101-LEFT NO BP-RH	CUBE OBS2401-LEFT NO BP-RH
CUBE OBS1801-RIGHT NO BP-LH	CUBE OBS2101-RIGHT NO BP-LH	CUBE OBS2401-RIGHT NO BP-LH
CUBE OBS1801-RIGHT NO BP-RH	CUBE OBS2101-RIGHT NO BP-RH	CUBE OBS2401-RIGHT NO BP-RH



SINK CABINETS (1 DOOR)

OBSXX01

Additional information.



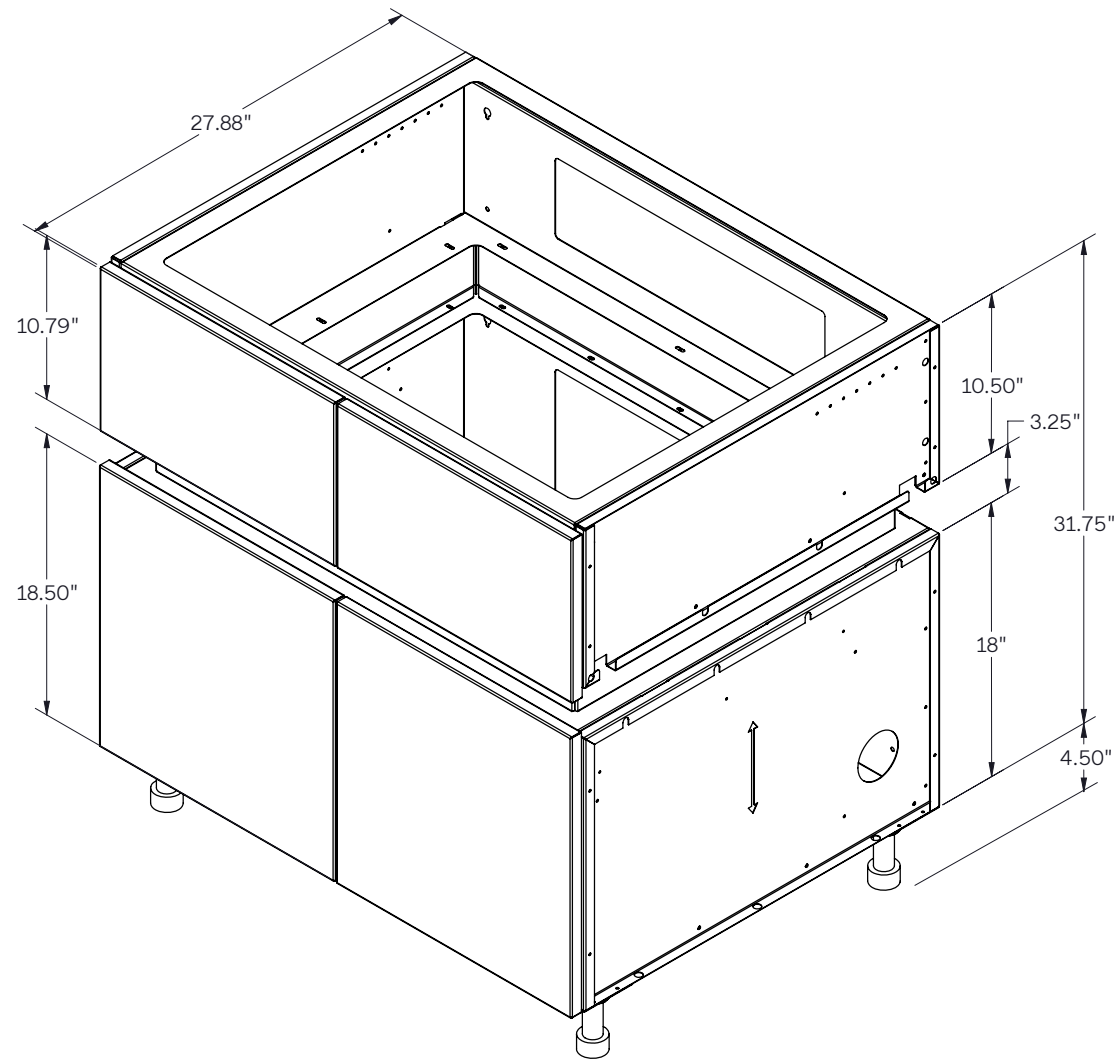
SINK CABINETS (2 DOORS)

OBSXX02

CUBE OBSxx02 Outdoor Sink Base Cabinets feature 2 doors. Available in 30", 36", 42", and 48" widths. OBS cabinets can also be used to house drop-in appliances.

SKUs

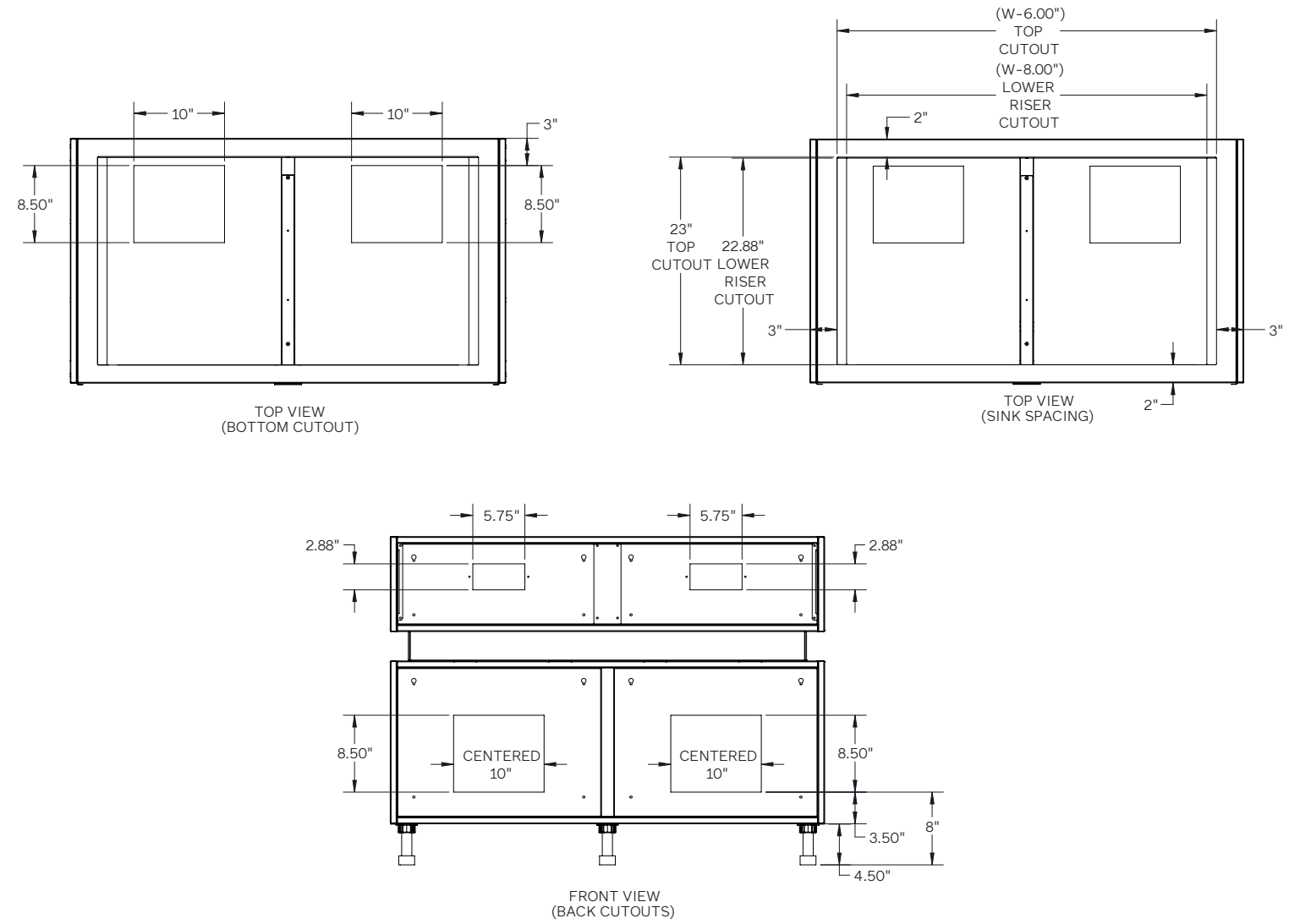
30" width	36" width	42" width	48" width
CUBE OBS3002-BP	CUBE OBS3602-BP	CUBE OBS4202-BP	CUBE OBS4802-BP
CUBE OBS3002-NO BP	CUBE OBS3602-NO BP	CUBE OBS4202-NO BP	CUBE OBS4802-NO BP
CUBE OBS3002-LEFT BP	CUBE OBS3602-LEFT BP	CUBE OBS4202-LEFT BP	CUBE OBS4802-LEFT BP
CUBE OBS3002-RIGHT BP	CUBE OBS3602-RIGHT BP	CUBE OBS4202-RIGHT BP	CUBE OBS4802-RIGHT BP
CUBE OBS3002-LEFT NO BP	CUBE OBS3602-LEFT NO BP	CUBE OBS4202-LEFT NO BP	CUBE OBS4802-LEFT NO BP
CUBE OBS3002-RIGHT NO BP	CUBE OBS3602-RIGHT NO BP	CUBE OBS4202-RIGHT NO BP	CUBE OBS4802-RIGHT NO BP



SINK CABINETS (2 DOORS)

OBSXX02

Additional information.



REFRIGERATOR CABINETS

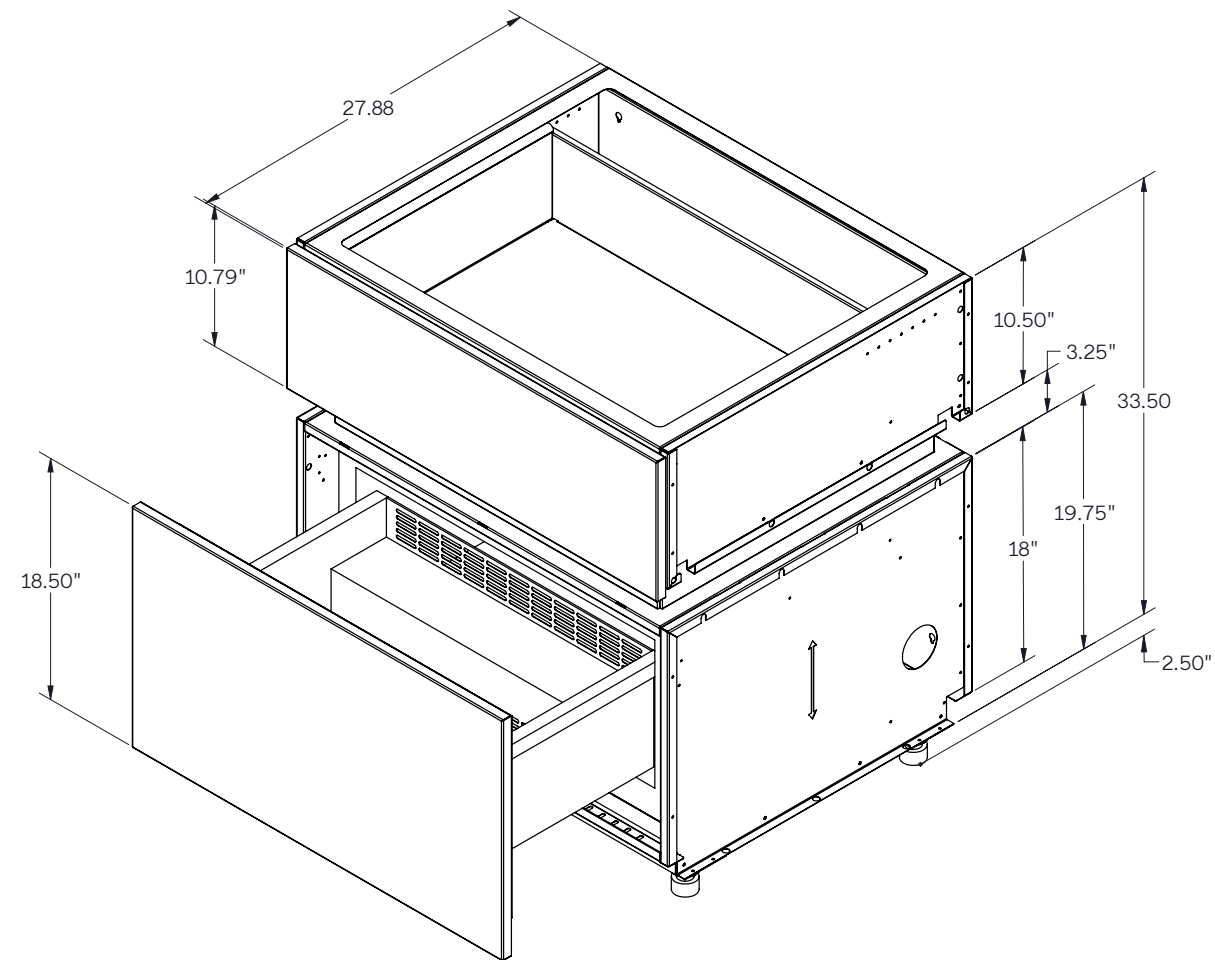
OBRXX20

CUBE OBRxx20 Outdoor Refrigerator Cabinets feature 1 storage drawer (top) and 1 refrigerator drawer with overlay panel (bottom). Available in 33" width. **Cannot be placed at the end of a run in an island format. No OFE option.**

Refrigerator drawer is designed to accommodate a Summit SDR301OS Drawer Refrigerator; appliance must be sourced separately.

SKUs

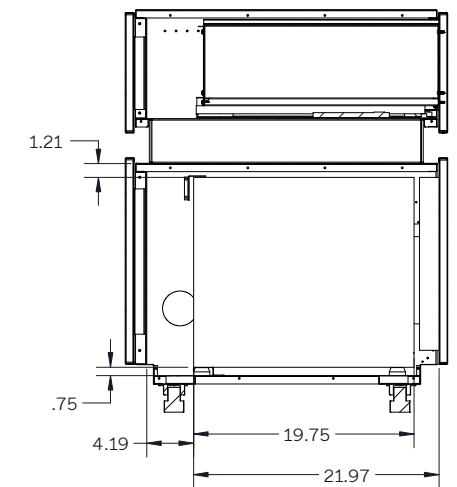
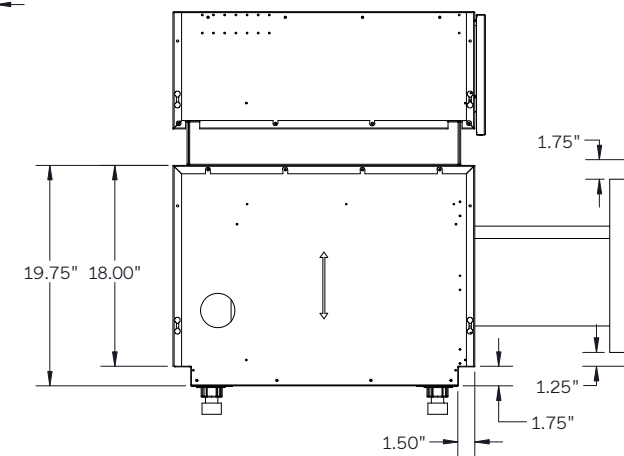
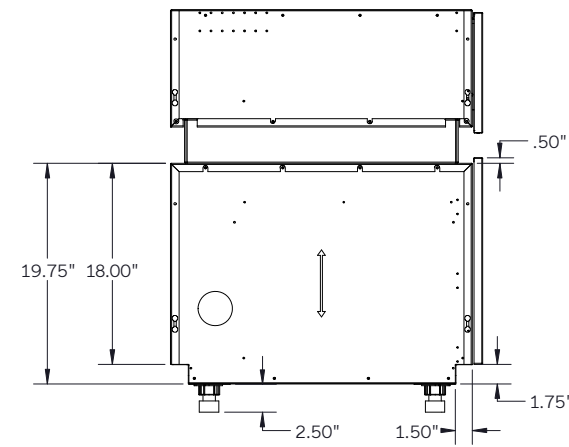
33" width
CUBE OBR3320-BP
CUBE OBR3320-NO BP



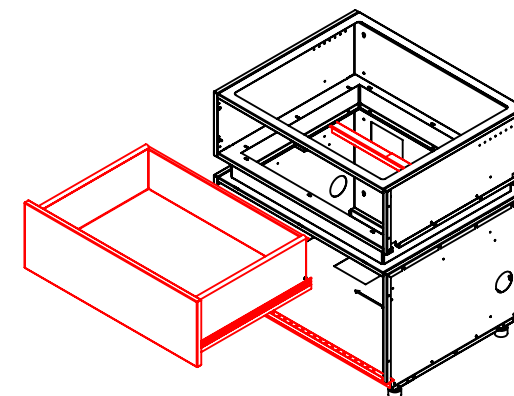
REFRIGERATOR CABINETS

OBRXX20

Additional information.



CUBE OBR3320 Cross Section Dimensions



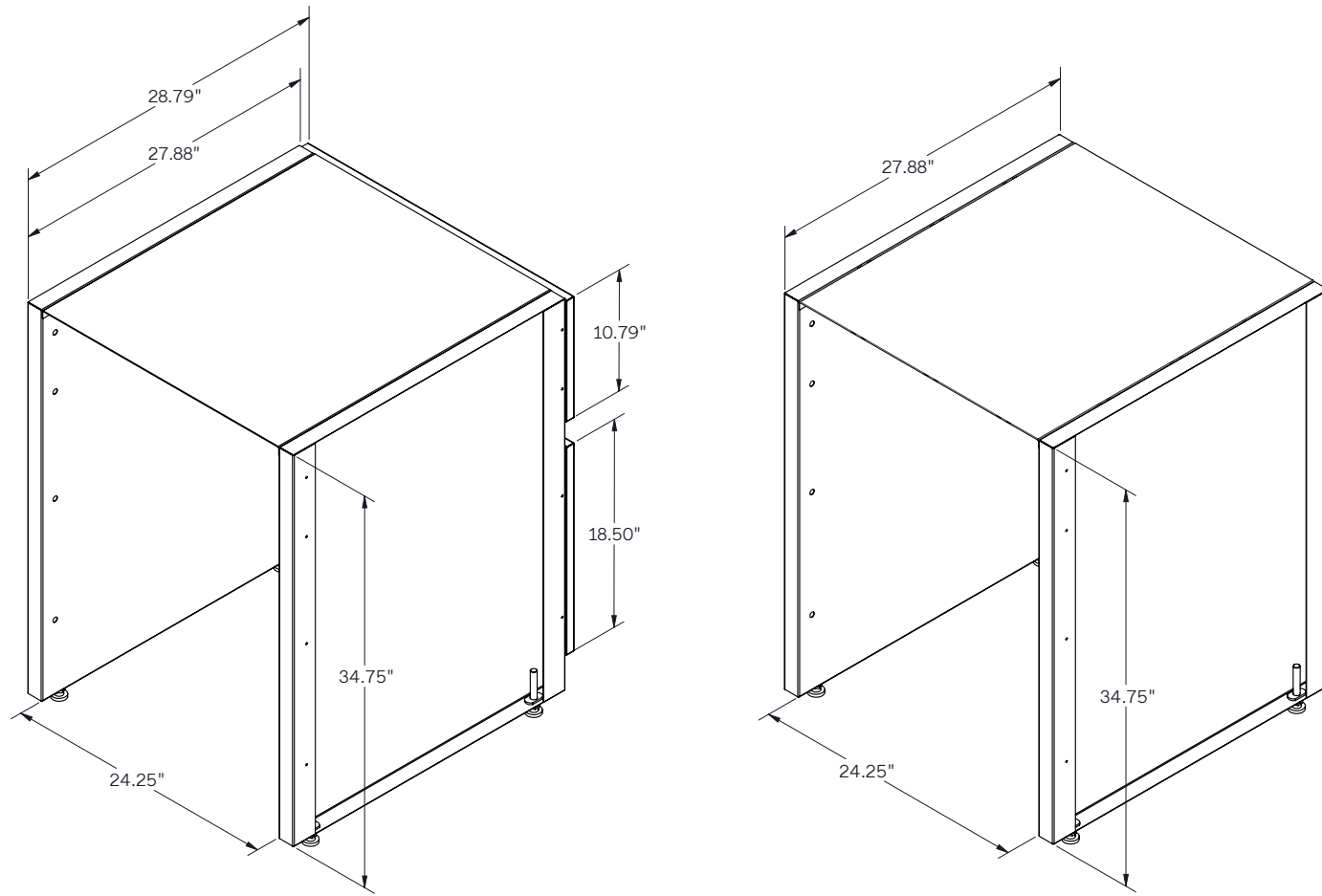
GARAGE BASES

OBGXX00

CUBE OBGxx00 Garage Base cabinets that can be placed between two base (base, sink, trash, or grill) cabinets. Cannot be used at the end of a run. Available in 15.25" and 24.25" cabinet opening widths. Use OFTS to conceal space between the appliance and the OBG top. Finished in **Midnight Matte** by default.

SKUs

15" width	24" width
CUBE OBG1500-BP	CUBE OBG2400-BP
CUBE OBG1500-NO BP	CUBE OBG2400-NO BP



BP

NO BP

UNDERCOUNTER APPLIANCE FILLER

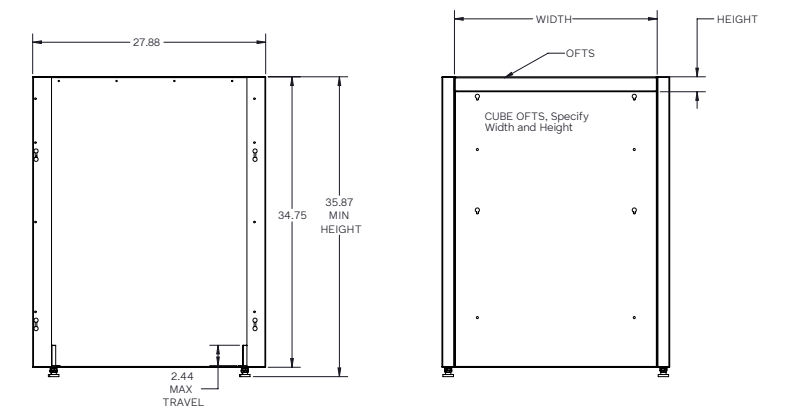
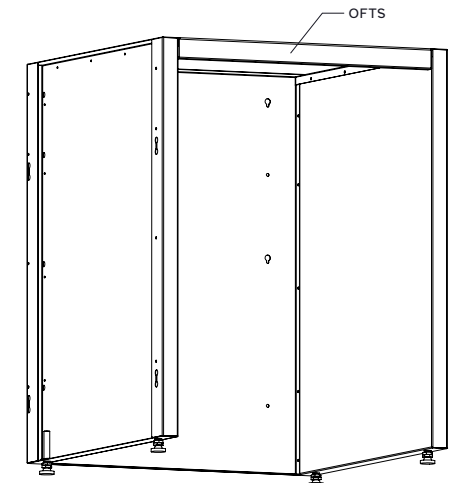
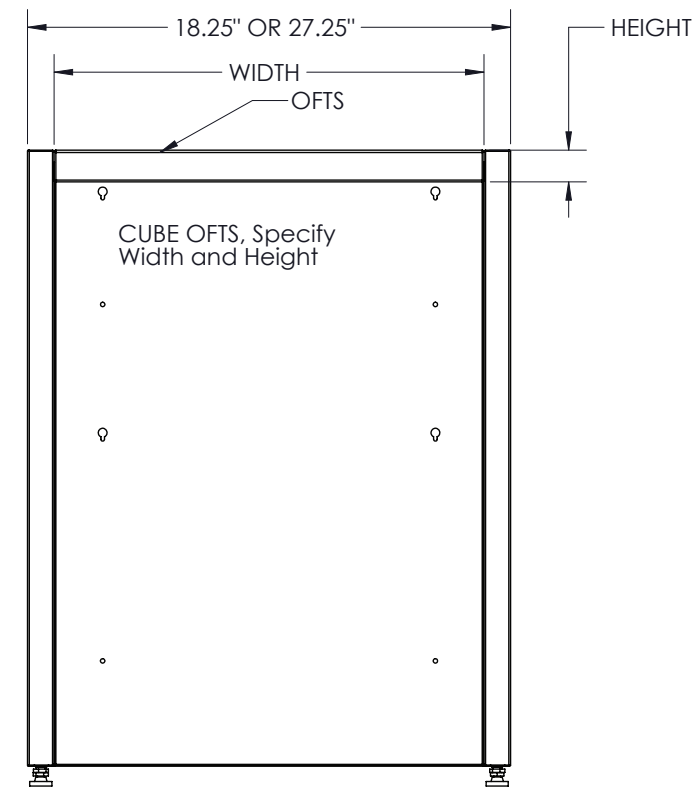
OFTS XX XX

CUBE OFTS xx xx Top Spacer to fill gap between undercounter appliance top and countertop. Finished in **Midnight Matte** by default.

Example SKU: CUBE OFTS 24.25 2.00

SKUs

CUBE OFTS 15.25 XX
CUBE OFTS 24.25 XX



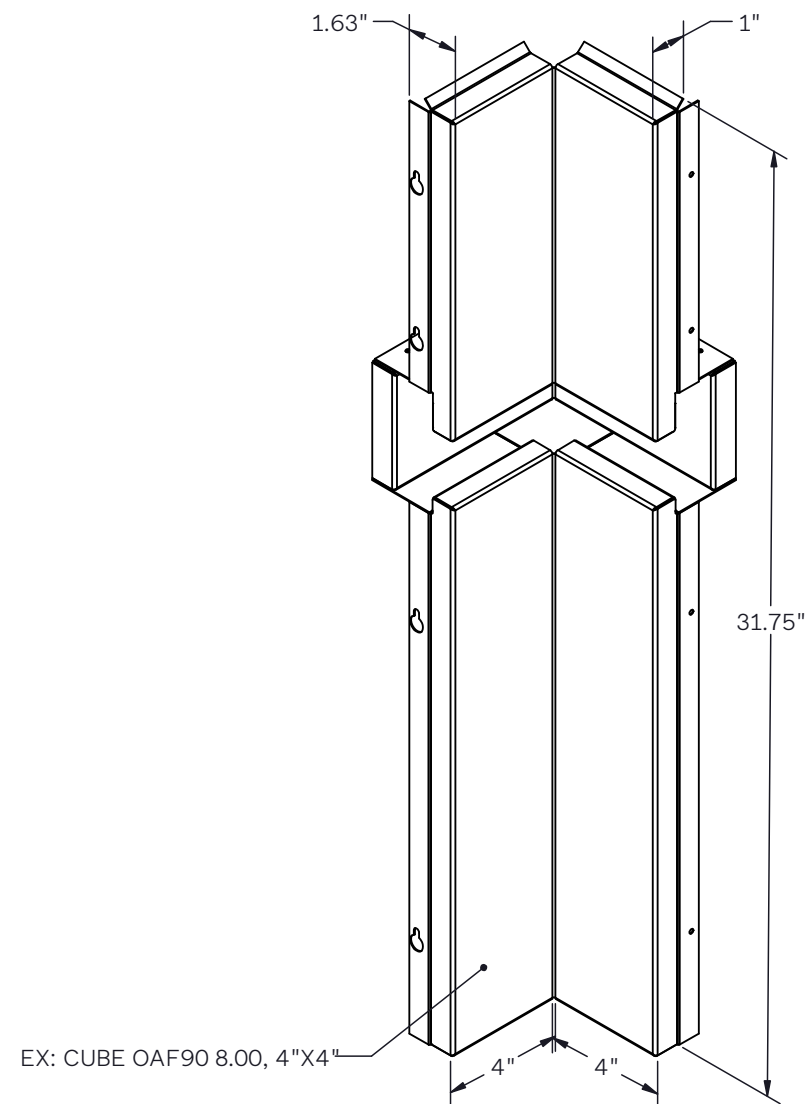
FRONT CORNER FILLERS

OAF90

CUBE OAF90 Cube Base Front Inside Corner Filler. 4" W each side x 1.63" D x 31.75" H. 90 degree bend. 3 section design to match Cube. Connects two cabinets in an inside corner.

SKUs

CUBE OAF90 8.00



REAR CORNER VOID SUPPORT

OAR90

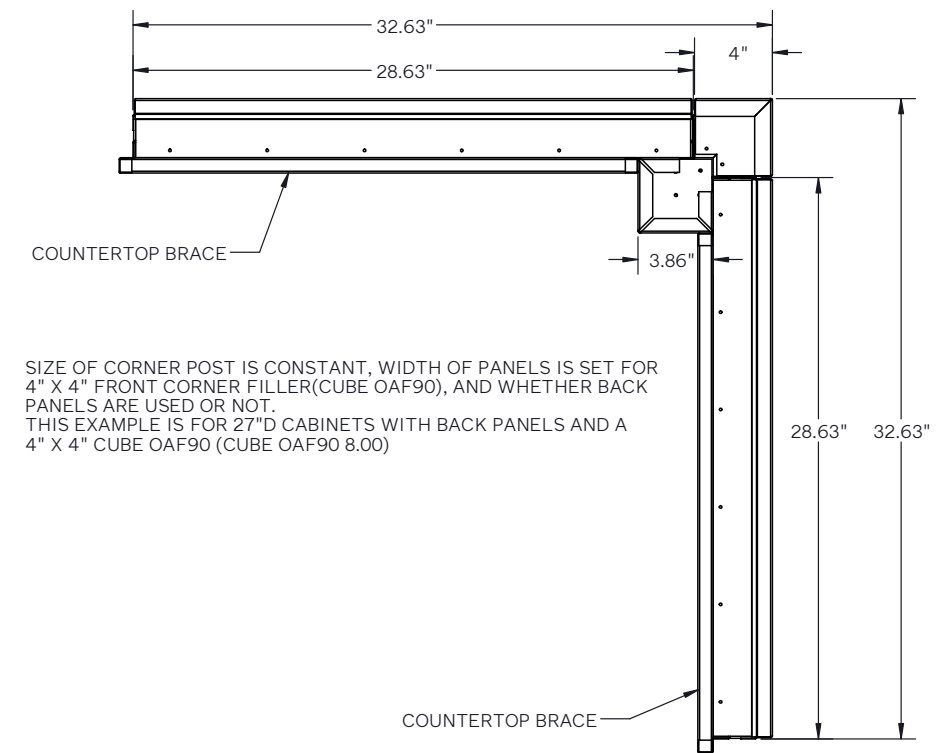
CUBE OAR90 Rear Corner Void Support Column, with or without two vented or non-vented back panels, to attach in void where CUBE OAF90 front corner filler is used. Post and panel sizes are constant based on CUBE OAF90 size. Dimensions are 1.63" D x 31.75" H on each side. 3 section design to match Cube styling.

SKUs

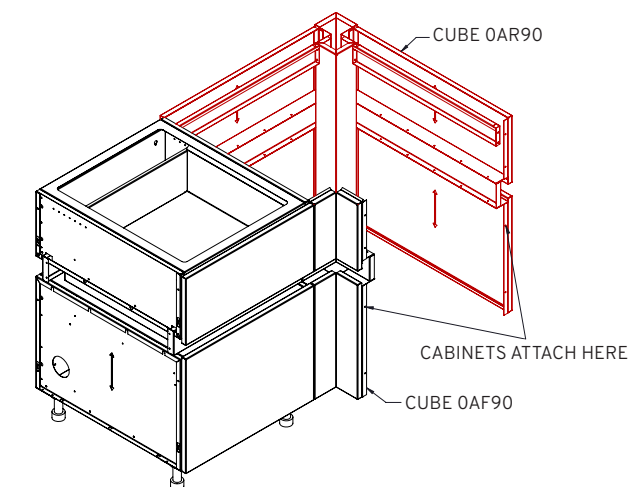
CUBE OAR90-VENT BP

CUBE OAR90-NO VENT BP

CUBE OAR90-NO BP



SIZE OF CORNER POST IS CONSTANT, WIDTH OF PANELS IS SET FOR 4" X 4" FRONT CORNER FILLER(CUBE OAF90), AND WHETHER BACK PANELS ARE USED OR NOT.
THIS EXAMPLE IS FOR 27"D CABINETS WITH BACK PANELS AND A 4" X 4" CUBE OAF90 (CUBE OAF90 8.00)



FRONT FILLERS

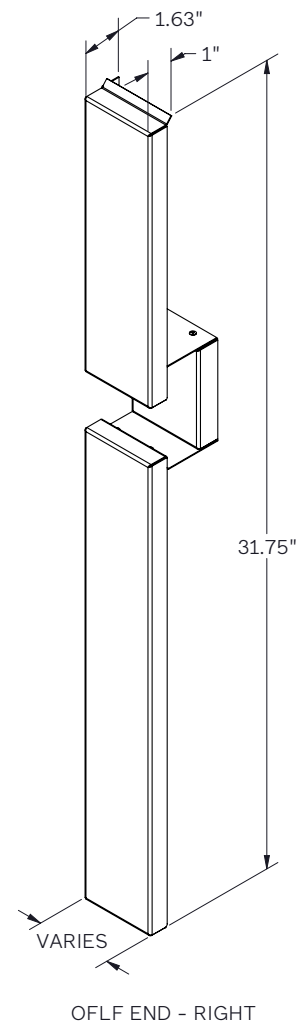
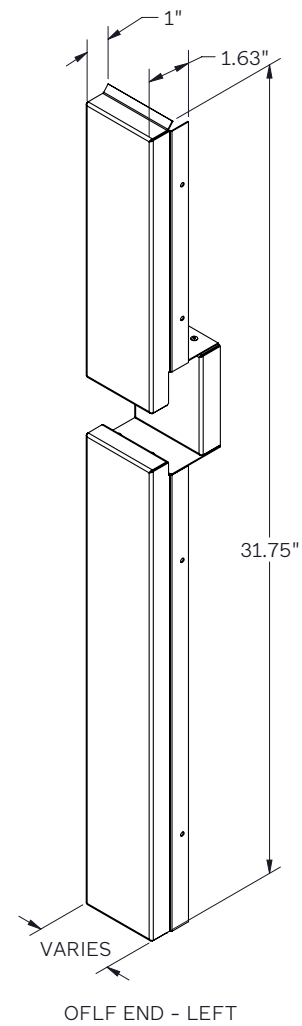
OFLF

OFLF Base Filler Front Left/Right with 1/16" offset and 90 degree bend opposite side. 1.63" D x 31.75" H. 3 section design to match Cube. Specify width in 1/8" increments. 1.75" W minimum, 24" W maximum.

SKUs

CUBE OFLFX LEFT

CUBE OFLFX RIGHT



FLUSH END PANELS

OFE

CUBE OFE Flush End Panels are designed to provide a matching finish on sides and ends of cabinets that do not connect to another cabinet. Each panel is a separate item. Be sure to match colors/finishes correctly when ordering your flush end panels. CUBE OFE TOP LEFT & BOTTOM LEFT shown below.

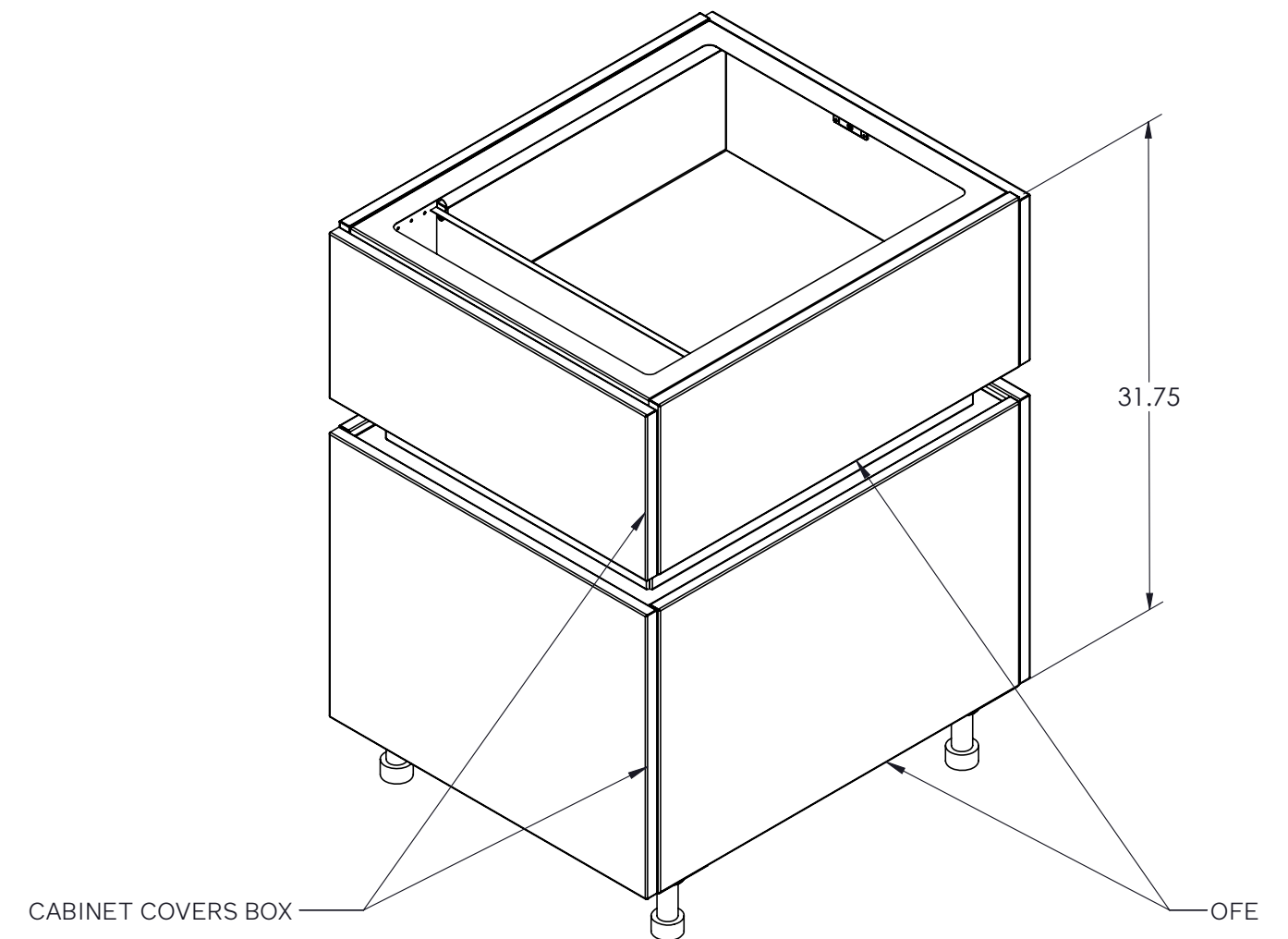
SKUs

CUBE OFE-TOP RIGHT

CUBE OFE-BOTTOM RIGHT

CUBE OFE-TOP LEFT

CUBE OFE-BOTTOM LEFT



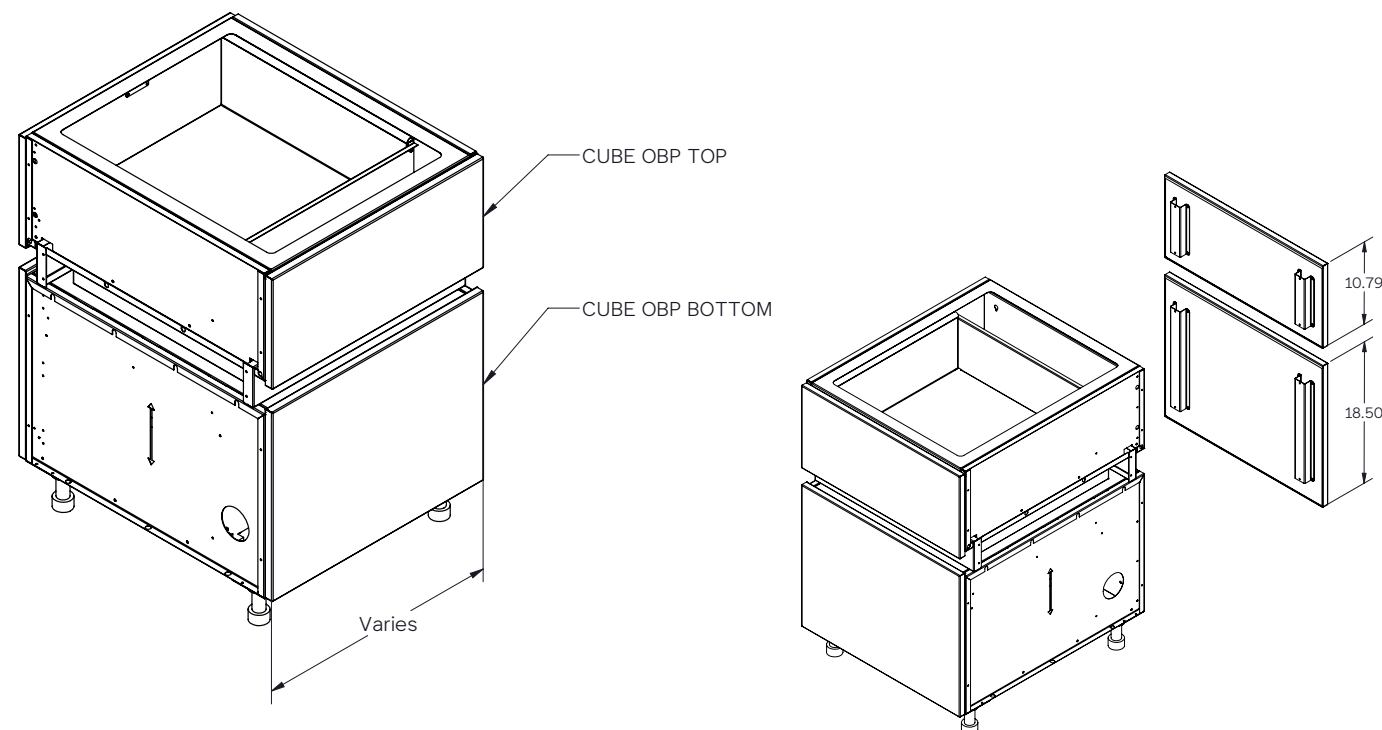
BACK PANELS

OBP & OBPV

CUBE OBP & OBPV Back Panels are designed to provide a matching finish on the back of cabinets. Each panel is a separate item. Be sure to match colors/finishes correctly when ordering your back end panels. Available with vents for appliance cabinets. Reverse side of panels shown in supplementary drawing.

SKUs

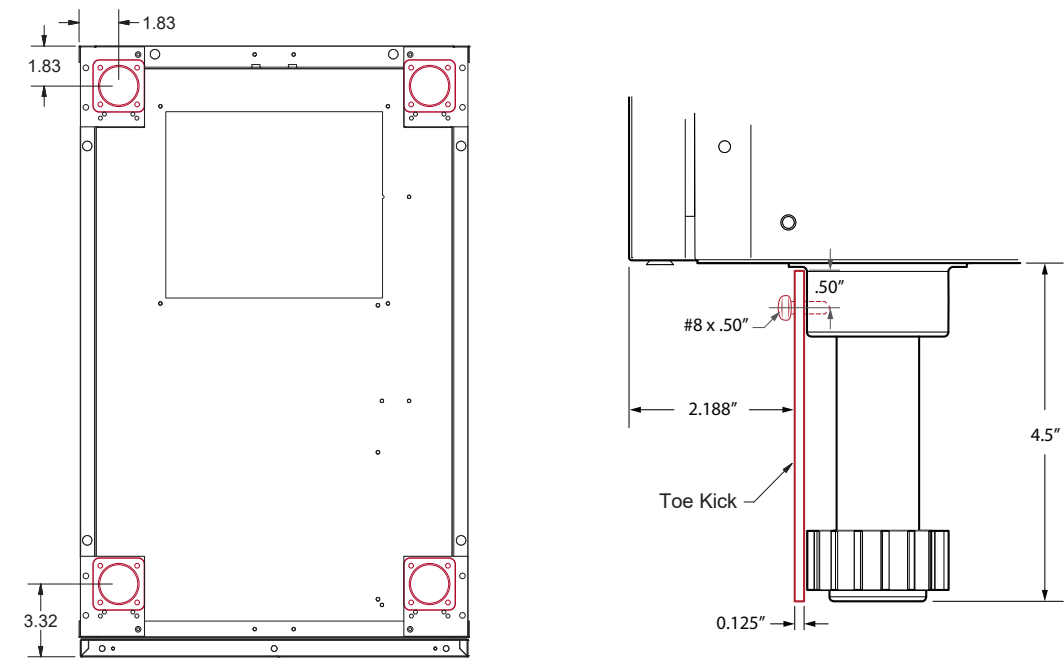
Non-Appliance Cabinet (not vented)	Appliance Cabinet (vented)	Garage Base (vented)
CUBE OBP18-TOP	CUBE OBPV18-TOP	CUBE OBPV-OBG1500-TOP
CUBE OBP18-BOTTOM	CUBE OBPV18-BOTTOM	CUBE OBPV-OBG1500-BOTTOM
CUBE OBP21-TOP	CUBE OBPV21-TOP	CUBE OBPV-OBG2400-TOP
CUBE OBP21-BOTTOM	CUBE OBPV21-BOTTOM	CUBE OBPV-OBG2400-BOTTOM
CUBE OBP24-TOP	CUBE OBPV24-TOP	
CUBE OBP24-BOTTOM	CUBE OBPV24-BOTTOM	
CUBE OBP27-TOP	CUBE OBPV27-TOP	
CUBE OBP27-BOTTOM	CUBE OBPV27-BOTTOM	
CUBE OBP30-TOP	CUBE OBPV30-TOP	
CUBE OBP30-BOTTOM	CUBE OBPV30-BOTTOM	
CUBE OBP33-TOP	CUBE OBPV33-TOP	
CUBE OBP33-BOTTOM	CUBE OBPV33-BOTTOM	
CUBE OBP36-TOP	CUBE OBPV36-TOP	
CUBE OBP36-BOTTOM	CUBE OBPV36-BOTTOM	



STANDARD LEGS

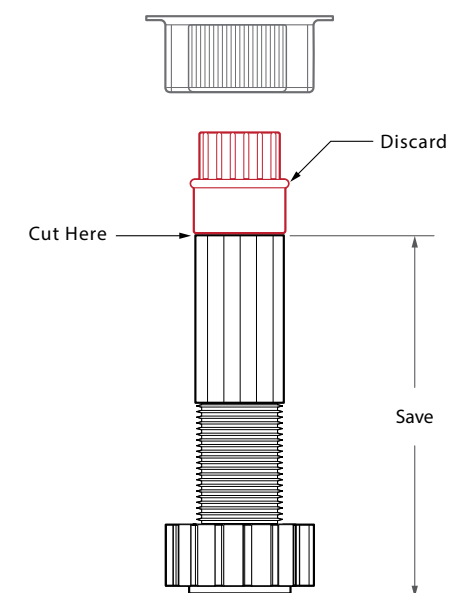
STANDARD LEGS Leveling feet are adjustable from 3.75" to 5.75"

TYPICAL CABINET LEG POSITION



Bottom View

Side View



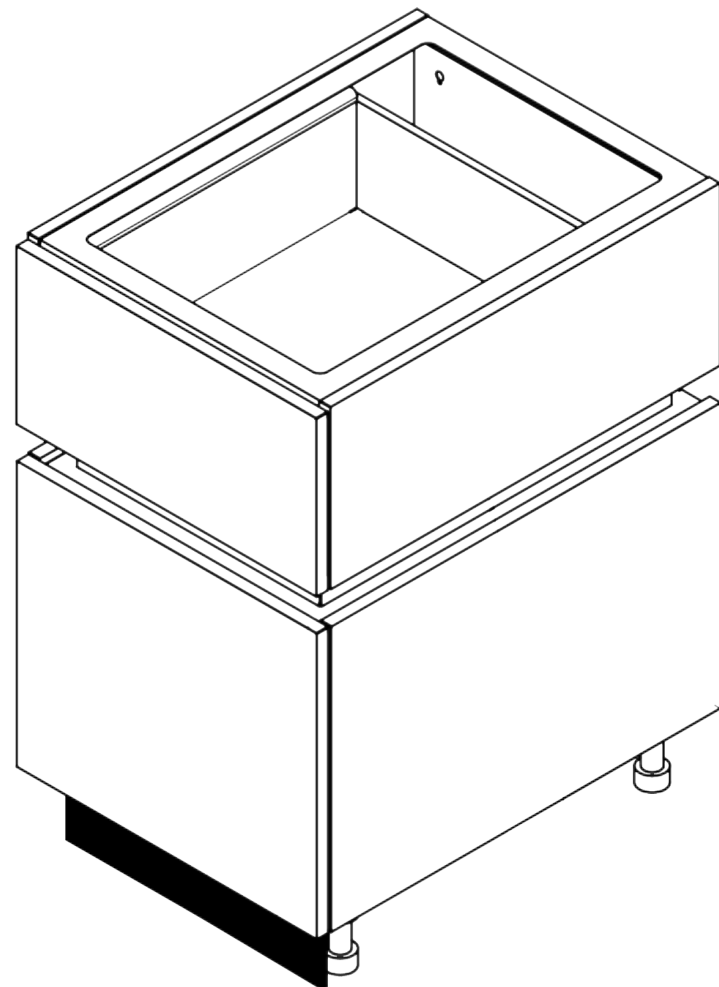
TOE KICK

OTK

OTK Toe Kick is .125" thick anodized aluminum. Midnight Matte powder coated toe kick cover is standard on all orders. Toe kick available in 4.38" or 6" heights.

SKUs

84" length of toe kick	straight run connector splice	90 degree corner splice
OTK4	OTK4 SPLICE	OTK4 CORNER 90
OTK6	OTK6 SPLICE	OTK6 CORNER 90



BROWN JORDAN®
OUTDOOR KITCHENS

203.626.5625 | 1 Grand Street, Wallingford, CT 06492

© 2026 Brown Jordan® Outdoor Kitchens is manufactured and sold by Danver LLC, under a Trademark Agreement with Brown Jordan, Inc.