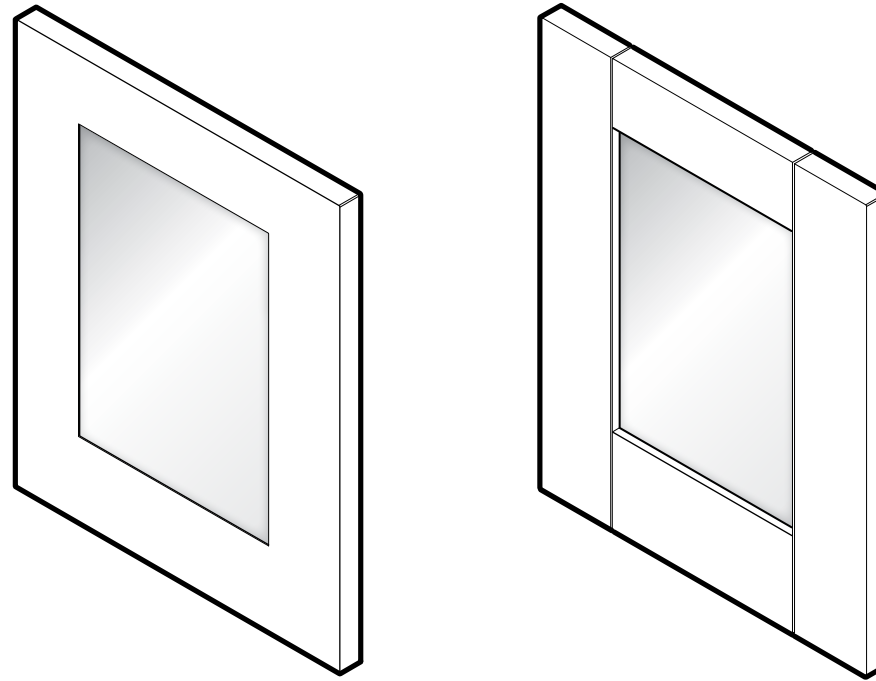


**Danver**<sup>™</sup>

**BROWN JORDAN**<sup>®</sup>  
**OUTDOOR KITCHENS**

**Trex**<sup>®</sup>  
Outdoor Kitchens



Installation Guide:  
Inserts for Prepped for Glass Doors

## IMPORTANT: READ FIRST

---

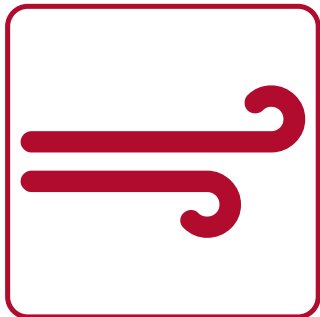


This guide contains basic information required to install standard Danver or Brown Jordan Outdoor Kitchens cabinetry. The specifics of the design, configuration, location, space and other factors influencing your project, may require deviations from the stated instructions.

It is recommended that installation be performed by a licensed contractor or other professional with experience installing cabinetry.

### Observe Local Building Codes

Local building codes may supersede the information contained within this guide. It is imperative that you understand and adhere to local codes and regulations prior to installing the cabinetry and appliances.



### High Wind Areas

If you are installing the cabinetry in a high-wind area, such as a rooftop or in a geographic region that is susceptible to tornados or hurricanes, you are likely required by building code to secure the cabinetry to an immovable structure such as a wall, floor or concrete base.

# INSTALLATION SITE PREP

---

## Notes on unpacking cabinets:

- Carefully review the packing list to verify your order has been shipped complete. Unpack parts, making sure not to scratch the product, misplace any hardware or accessories.
- Doors and drawers are shipped installed with standard stainless steel pulls.

## Basic Notes on Installation:

Required Tools:		
Power screw driver with #2 Phillips head bit	#2 Phillips head manual screw driver	Cutting pliers

- Remove doors from cabinets prior to glass installation.
- Glass inserts are .125" (1/8") thick.

## Installation Resources:

For additional resources, such as installation videos, PDF instructions and cleaning guides, visit:

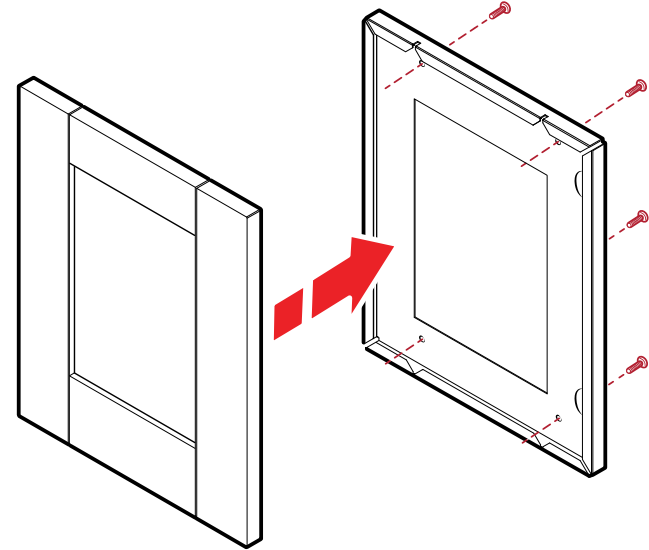
[danver.com/resources](http://danver.com/resources)

[brownjordanoutdoorkitchens.com/resources](http://brownjordanoutdoorkitchens.com/resources)

# ASSEMBLY & INSTALLATION: Key West Door Style

---

Key West doors are assembled with four (4) screws in each corner of the rear panel.

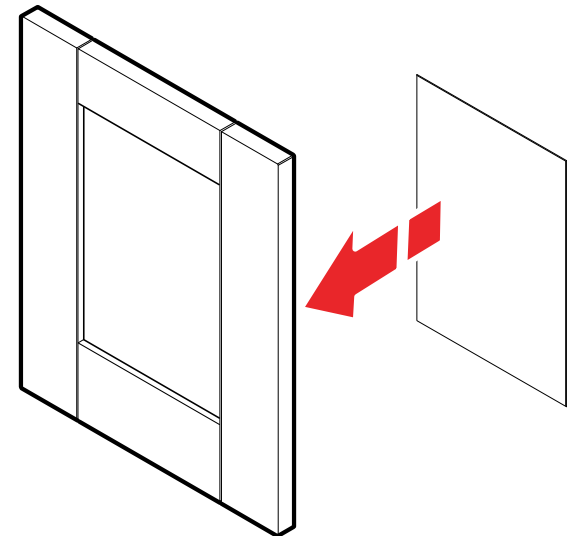


1. Remove the four (4) screws.

Note: Save the screws.

2. Remove the rear panel.

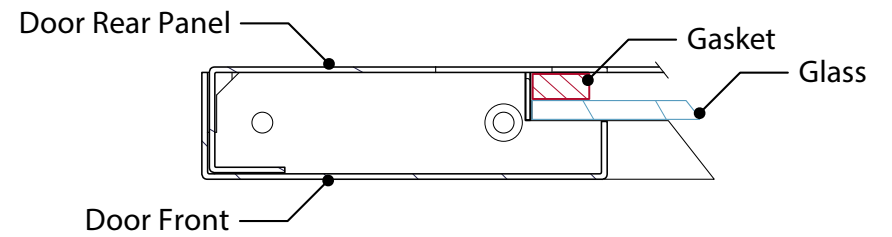
3. Place the glass into the door front.



# ASSEMBLY & INSTALLATION: Appliance and Grill Cabinet

---

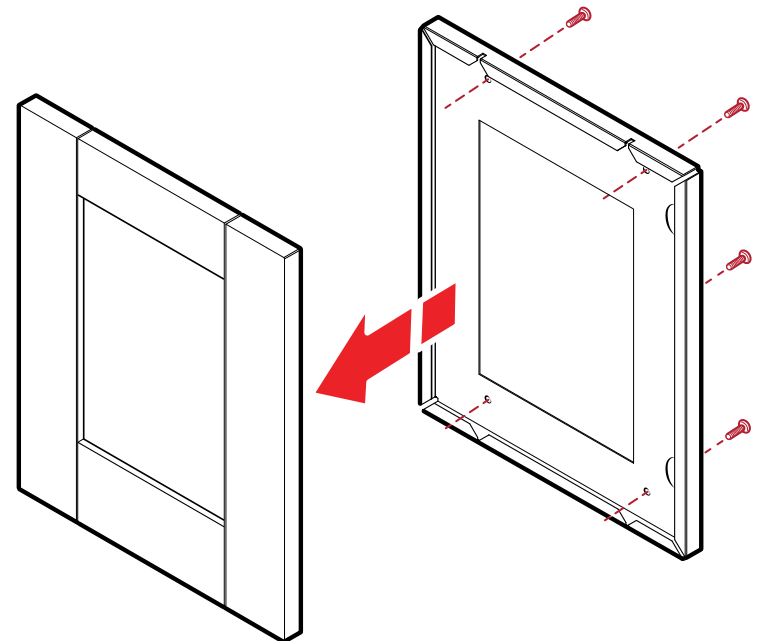
4. The glass will sit on the preinstalled gaskets inside the door rear panel and should sit approximately as shown.



5. Replace the rear panel.

6. Replace the four (4) screws.

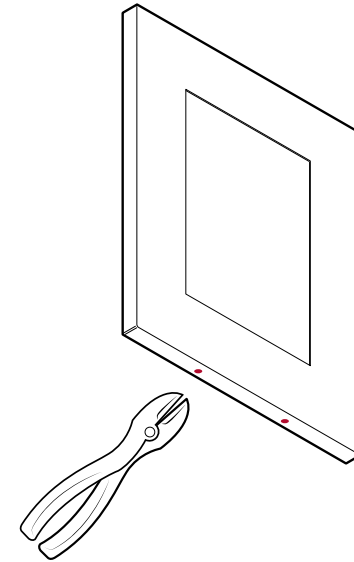
7. Reinstall the door onto the cabinet.



## ASSEMBLY & INSTALLATION: Rio Door Style

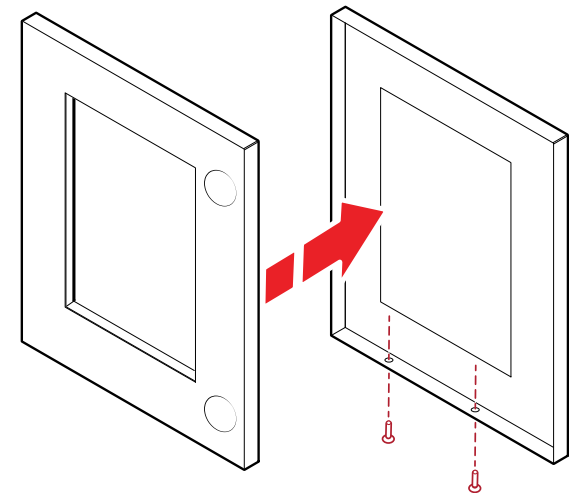
---

Rio doors are assembled with two (2) 1/8" plastic rivets, L017 black, on the bottom of the door.



1. Cut the two (2) 1/8" plastic rivets located at the bottom of the door.

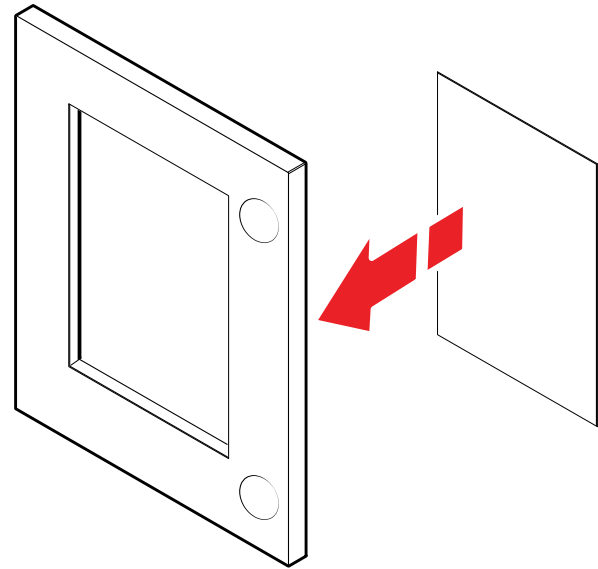
2. Remove the rear panel.



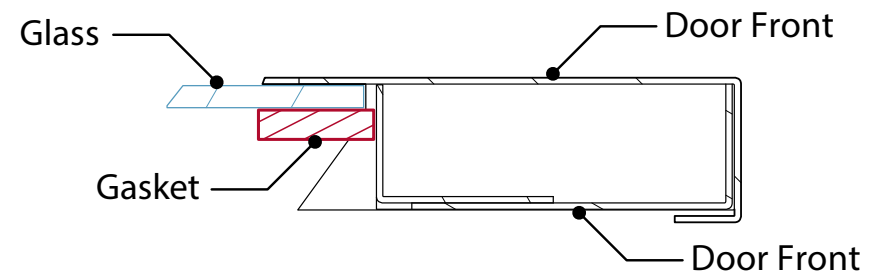
# ASSEMBLY & INSTALLATION: Appliance and Grill Cabinet

---

3. Place the glass into the door rear panel.



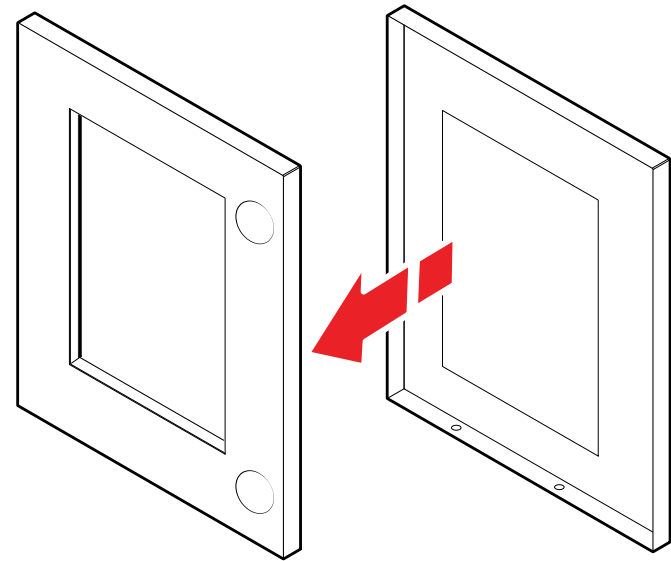
4. The glass will sit on the preinstalled gaskets inside the door rear panel and should sit approximately as shown.



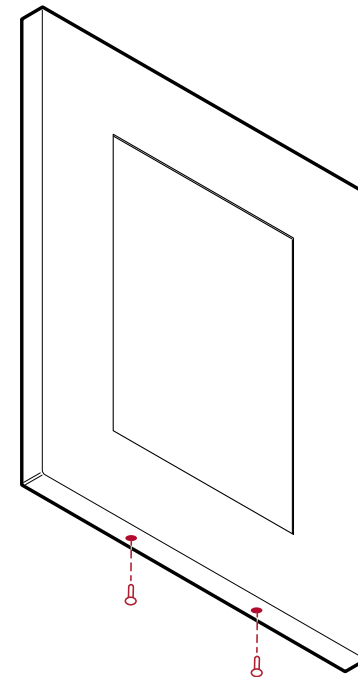
## ASSEMBLY & INSTALLATION: Rio Door Style

---

5. Replace the rear panel.



6. Rivet in place using the included two (2) of the new 1/8" plastic rivets.



7. Reinstall the door onto the cabinet.

# NOTES

---

# NOTES

---

# NOTES

---

