

# BROWN JORDAN<sup>®</sup> OUTDOOR KITCHENS



## **Specification Guide: Elements Collection**

# Table of Contents

<b>Elements: Design Guidelines</b>	<b>4</b>
Door Style and Cabinet Box	5
Powder Coat Guide	6
Side Burner Bases: ELEM OBBxx10/xx20	8
Garage Bases & Multi-Drawer Bases	10
Open Bases & Pass-Through Bases	11
Refrigerator Bases	12
Sink Bases & Trash Bases	13
Trash Bases	14
Grill Cabinets	15
Side Panels	17
Transition & OCS Countertop Support	18



# Elements: Design Guidelines

[Return to Table of Contents](#)

Base Cabinet part number nomenclature; example:						
ELEM OBF1801-RH: 18" Full Height Door Cabinet						
ELEM	OB	F	18	0	1	-RH
Prefix	Category (Base)	Style (Full-Height)	Width (inches)	Drawer(s)	Door(s)	Hinge Direction

## Cabinet usage for the Brown Jordan Elements line differs from Danver Base Cabinets.

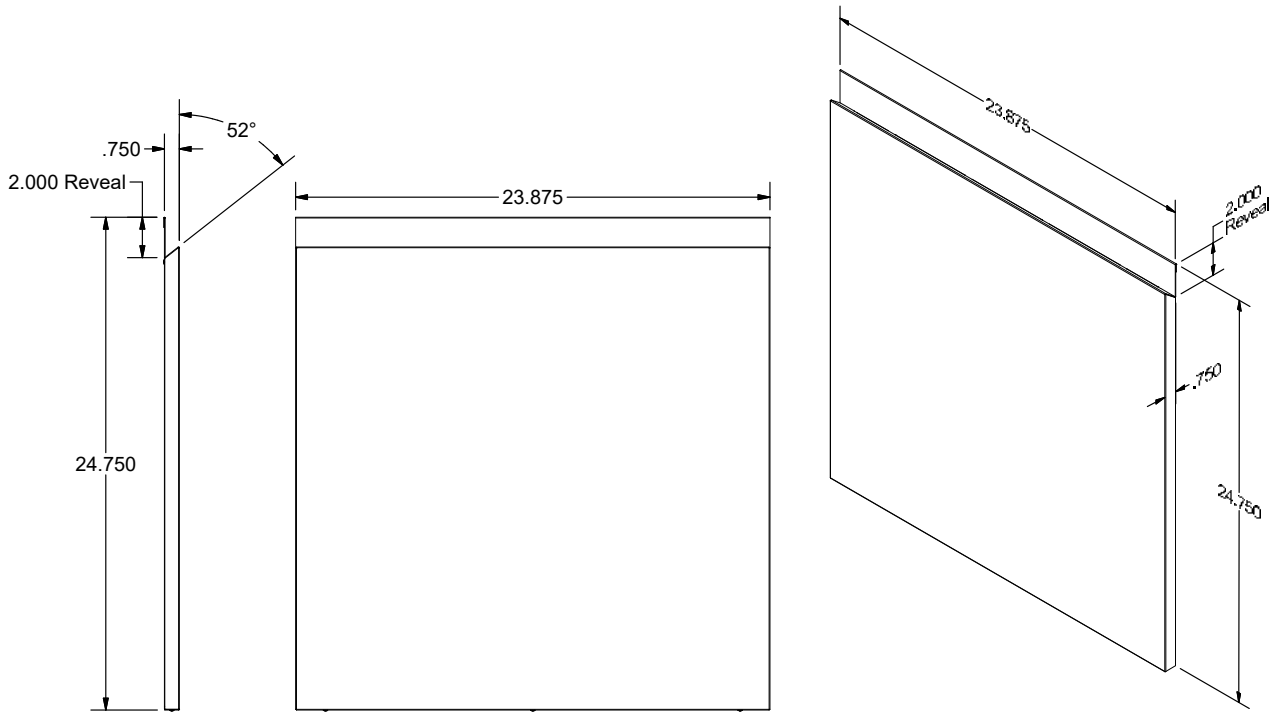
### Please follow the guidelines below when quoting an Elements runs:

1. All Elements by Tecno Base cabinets and accessories use the prefix: ELEM. This is designed to help you find the specific Elements base needed.
2. **66" maximum length of unsupported cabinets.** Segments of cabinet runs cannot exceed 66"W without a Transition or ELEM OSP, any combination of Non-Appliance cabinets can be used to add up to 66"W.
3. **Elements Left & Right Side Panels must be used to end each side of a run.** These panels come with a set of 2 legs which attach to the frame. Standard Elements bases do not come with legs attached, these are always provided with ELEM OSP and ELEM TRANSITION parts.
4. **Undercounter appliances** cannot be used at the END of a run. Grill and Side Burner Bases can be used anywhere.
5. **Elements Grill base cabinets** must have Transition pieces on either side of the grill. Elements Grill bases are designed to house grills that are 3" smaller than the overall cabinet width. Ex: Alfresco 42" Grill would be housed in an ELEM OGB4520.

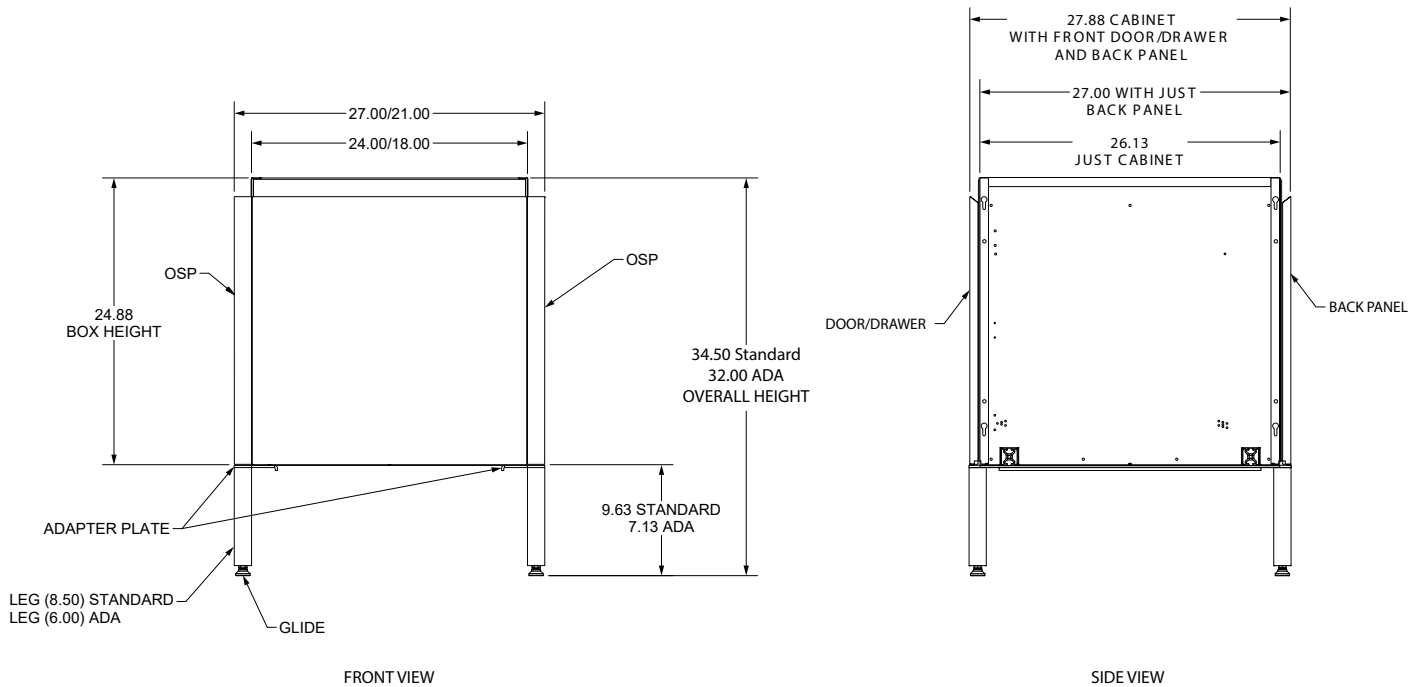
# Elements - Door Style and Cabinet Box

[Return to Table of Contents](#)

All Elements by Tecno Base cabinets have the same door style that is different than other base cabinetry which comes standard with Hampton slab doors. Please reference the specifications below.



Elements Door



# Elements - Powder Coat Guide

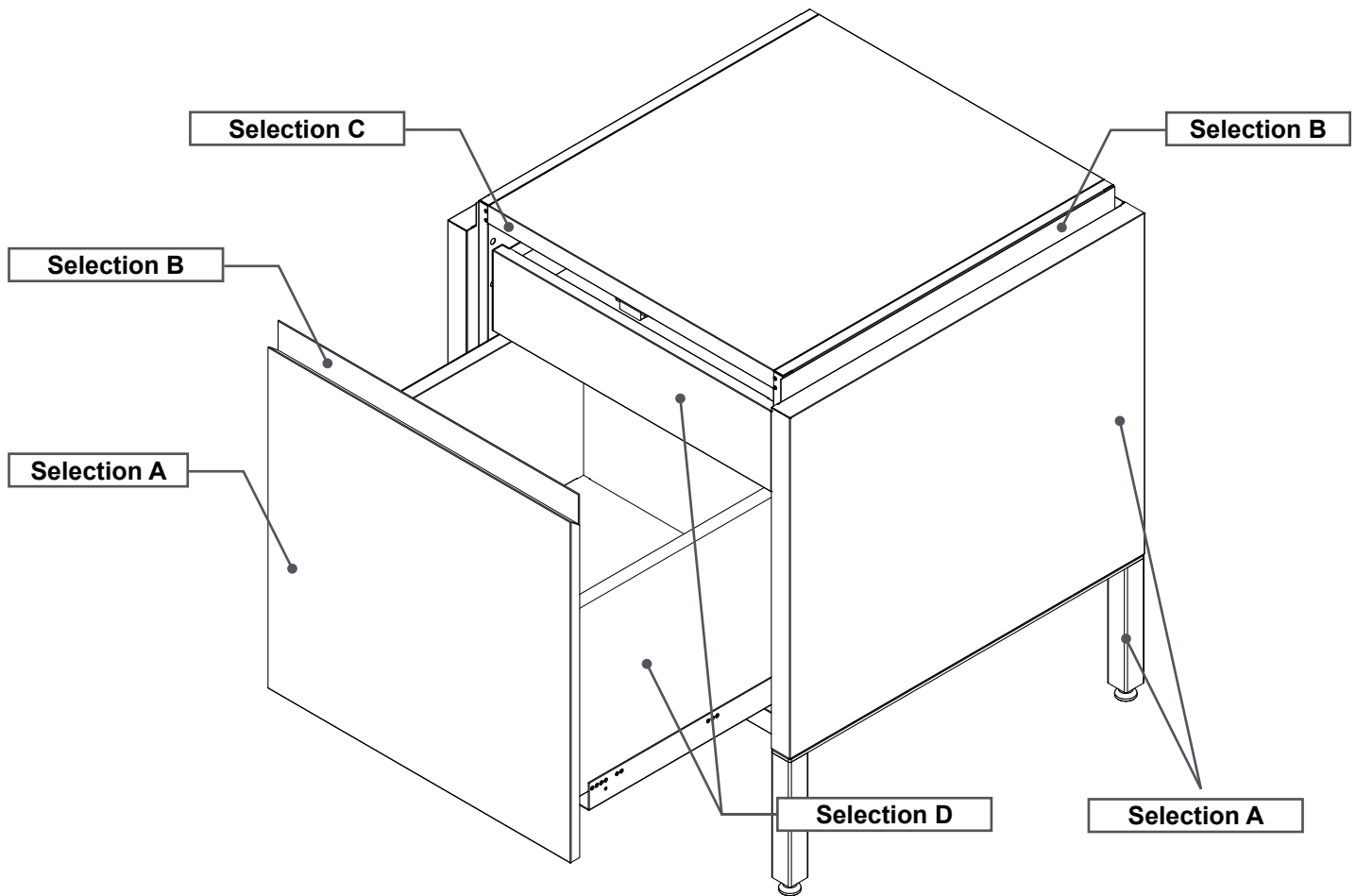
[Return to Table of Contents](#)

BROWN JORDAN®  
OUTDOOR  
KITCHENS™

Please use this guide for selecting powder coat color options when ordering Elements cabinets.

**Note:** Choosing a color for **Selection A** will result in **Selection B** being painted the same color unless otherwise noted. **Selection C** & **Selection D** are stand alone selections that have to be chosen.

Elements base shown with OSP L-R installed on each side. Elements base cabinets DO NOT come with legs attached. Legs are added via ELEM TRANSITION ELEM OSP L-R.



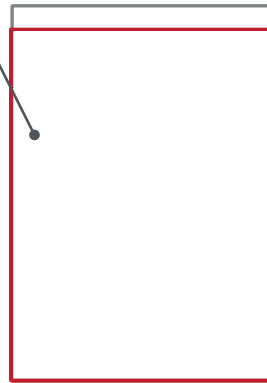
BROWN JORDAN is a registered trademark of Brown Jordan International, Inc. and is used under license to CT Acquisitions, LLC.

# Elements - Powder Coat Guide

[Return to Table of Contents](#)

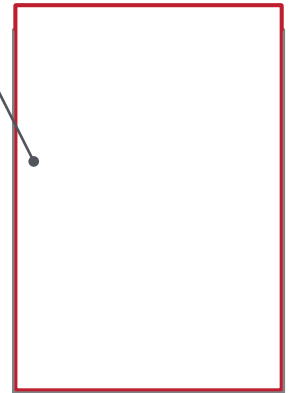
**POWDER COAT -**  
Determines the powder coat Finish on Elements Door Panels, Side Panels, Back Panels, and Cabinet Frames.

**Note:** Choosing a color for **Selection A** will result in **Selection B** being painted the same color unless otherwise noted.



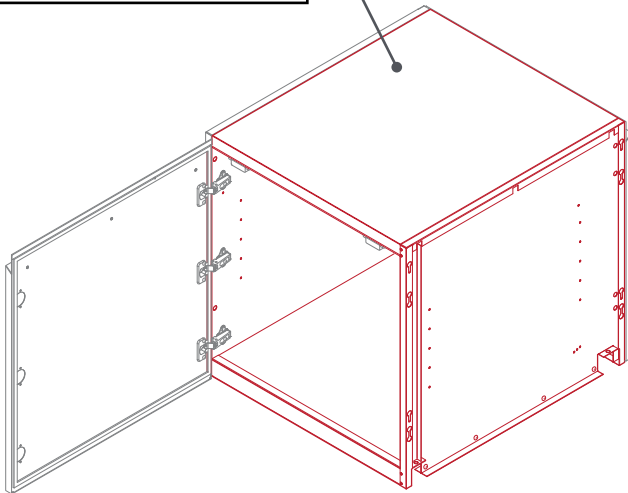
**Selection A**  
Elements Door Front  
Powder Coat

**DOOR BACK -**  
Determines the powder coat finish on Elements Rear Door Panels/Top Front Reveal of doors, cabinet Side Panels and Back Panels



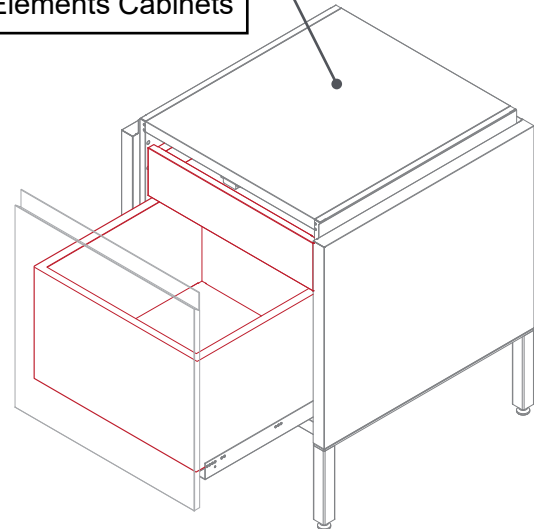
**Selection B**  
Elements Door Rear  
Powder Coat

**CABINET INTERIOR -**  
Determines the powder coat finish for the Interior



**Selection C**  
Elements Cabinet Interior

**DRAWER INTERIOR -**  
Determines the Powder Coat Finish for the Interior drawer face and box of Elements Cabinets

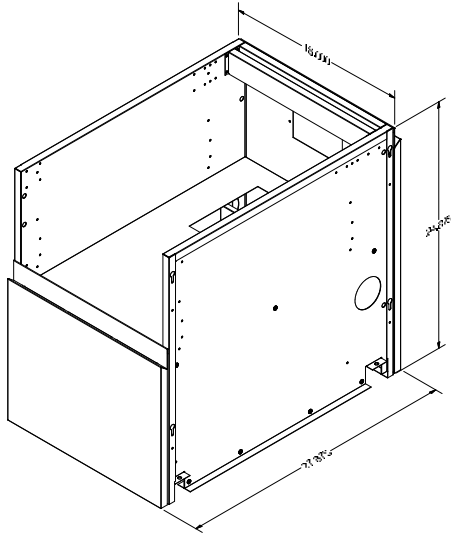


**Selection D**  
Elements Drawer Interior

**Note:** cabinet/drawer interior usually contrasts with the selection made for Door Front (i.e. light color front, darker interior)

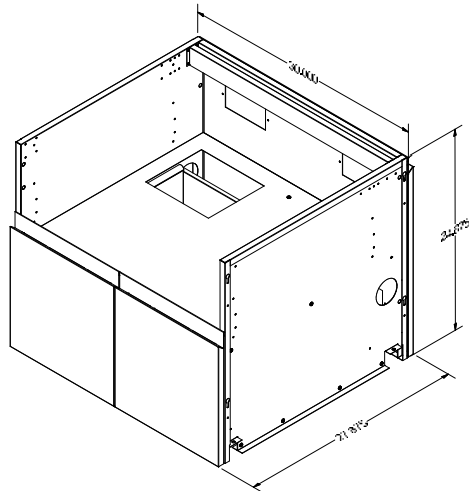
# Elements - Side Burner Bases: ELEM OBBxx10/xx20

[Return to Table of Contents](#)



ELEM OBB1810

Product Description
ELEM OBB: ELEMENTS - Side Burner Base, 27.88"D consisting of front, cabinet box, and included back panel. 1 Drawer. 24.88"H cabinet box, 34.5"H standard total height, 32.00"H ADA height.
SKU
ELEM OBB1510
ELEM OBB1810
ELEM OBB2110
ELEM OBB2410

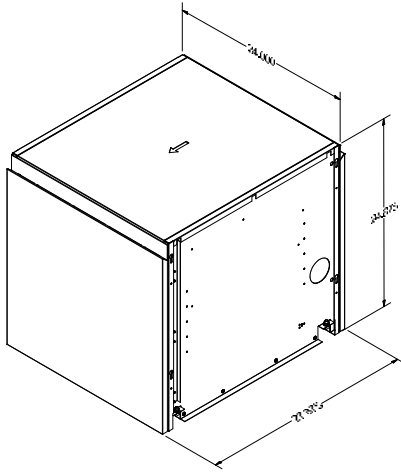


ELEM OBB3020

Product Description
ELEM OBB: ELEMENTS - 30"W Base, 27.88"D consisting of front, cabinet box, and included back panel. 2 Drawers. 24.88"H cabinet box, 34.5"H standard total height, 32.00"H ADA height.
SKU
ELEM OBB3020

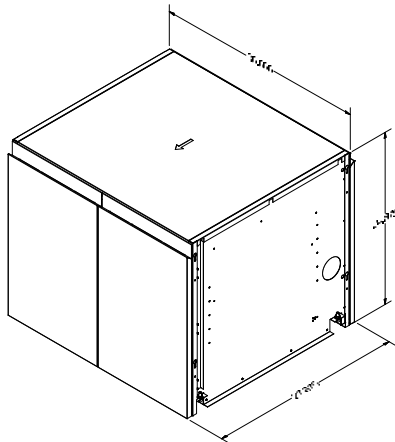
# Elements - Full-Height Door Bases: ELEM OBFxx01/xx02

[Return to Table of Contents](#)



ELEM OBF2401

Product Description
ELEM OBF: ELEMENTS - Full-Height Door Base, 27.88"D consisting of front, cabinet box, and included back panel. 1 Full-Height Door. Includes adjustable full depth shelf. 24.88"H cabinet box, 34.5"H standard total height, 32.00"H ADA height.
SKU
ELEM OBF1501-LH
ELEM OBF1501-RH
ELEM OBF1801-LH
ELEM OBF1801-RH
ELEM OBF2101-LH
ELEM OBF2101-RH
ELEM OBF2401-LH
ELEM OBF2401-RH

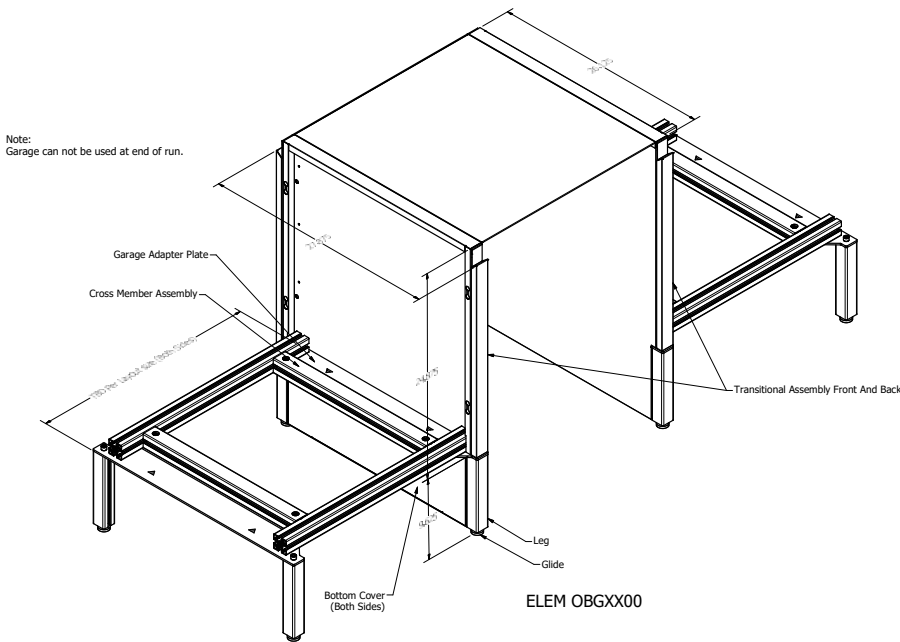


ELEM OBF3002

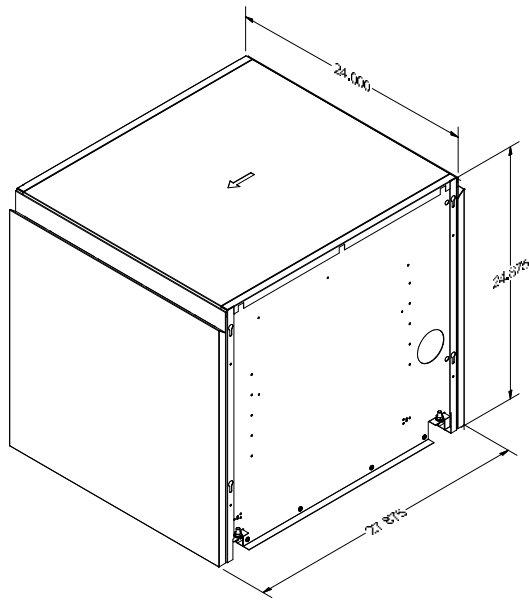
Product Description
ELEM OBF: ELEMENTS - 2 Full-Height Doors. 27.88"D consisting of front, cabinet box, and included back panel. Includes adjustable full depth shelf. 24.88"H cabinet box, 34.5"H standard total height, 32.00"H ADA height.
SKU
ELEM OBF3002
ELEM OBF3602

# Elements - Garage Bases & Multi-Drawer Bases

[Return to Table of Contents](#)



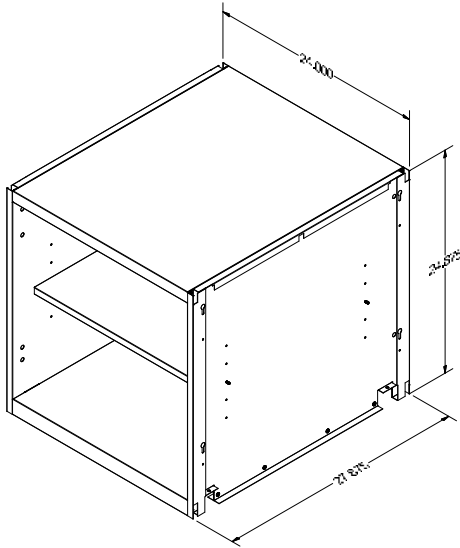
Product Description
ELEM OBG: ELEMENTS – OBG1500 (18.38"W **with 15.25"W opening**, 27.88"D). OBG2400 (27.41"W **with 24.25"W opening**, 27.88"D) Undercounter Refrigeration Garage/ Storage Area for placement in the middle of a run: Consists of three 34.5"H panels with small leveling feet: left side panel with cutouts for frame, right side panel with cutouts for frame, and a back panel that matches other Elements cabinets.
*Note: Can not be used at the end of a run.
SKU
ELEM OBG1500
ELEM OBG1500 ADA
ELEM OBG2400
ELEM OBG2400 ADA



Product Description
ELEM OBM: Multi-Drawer Cabinet Base, 27.88"D consisting of fronts, cabinet box, and included back panel. 2 Drawers: 1 Full-Height Drawer Front attached to bottom drawer, 1 Nested Drawer inside located at top. 24.88"H cabinet box, 34.5"H standard total height.
SKU
ELEM OBM1520
ELEM OBM1820
ELEM OBM2120
ELEM OBM2420
ELEM OBM3020

# Elements - Open Bases & Pass-Through Bases

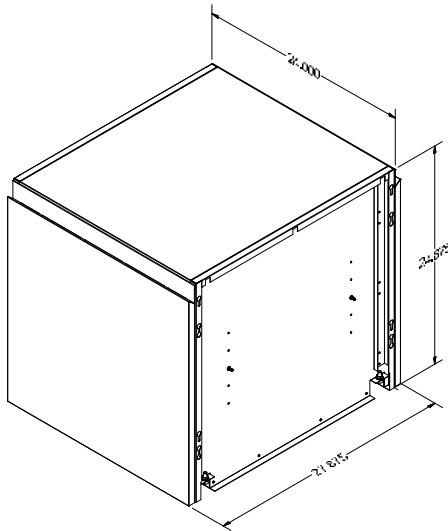
[Return to Table of Contents](#)



ELEM OBO2400

Product Description
ELEM OBO: ELEMENTS Open Base, 27.88"D consisting of a cabinet box open in the front and back (no door or drawer fronts), 24.88"H cabinet box, 34.5"H standard total height, 32.00"H ADA height. Includes adjustable full depth shelf.
SKU
ELEM OBO1500
ELEM OBO1800
ELEM OBO2100
ELEM OBO2400
ELEM OBO3000

**\*\*\*IMPORTANT NOTES:** This cabinet **MUST BE POWDER COATED** in order to have a finished look and the powder coat charge is built into the cabinet price so it will not show up through the normal QAD logic. You must add a note to this line item stating the standard powder coat color you would like. **WOOD GRAIN FINISHES ARE NOT AVAILABLE** for these cabinets.

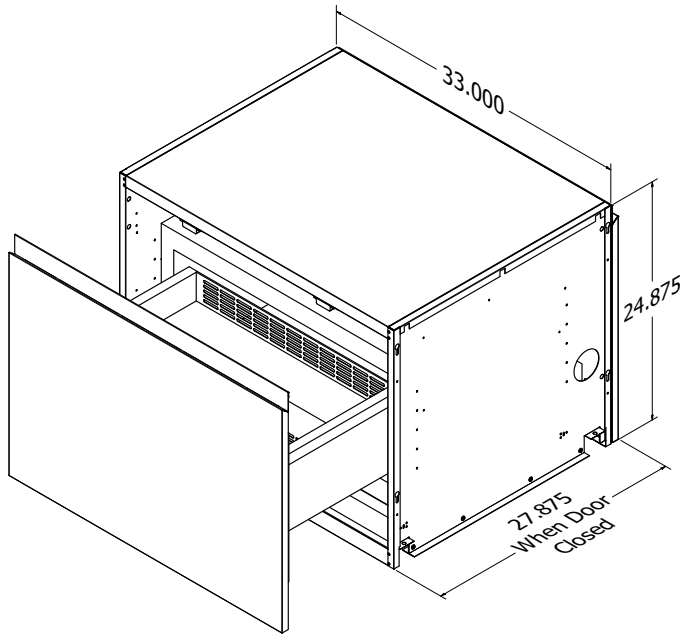


ELEM OBPT2402

Product Description
ELEM OBPT: ELEMENTS Pass-Through Base, 27.88"D consisting of fronts and cabinet box. 2 Full Height Doors (one in front, one in back), Front Door Left-Hinged, Back Door Left-Hinged. Includes fixed half-depth shelf. 24.88"H cabinet box, 34.5"H standard total height, 32.00"H ADA height.
SKU
ELEM OBPT1802-LH-LH
ELEM OBPT1802-LH-RH
ELEM OBPT1802-RH-RH
ELEM OBPT1802-RH-LH
ELEM OBPT2402-LH-LH
ELEM OBPT2402-LH-RH
ELEM OBPT2402-RH-RH
ELEM OBPT2402-RH-LH

# Elements - Refrigerator Bases

[Return to Table of Contents](#)



## Product Description

ELEM OBRxx10 Elements Refrigerator Cabinet. 33" W x 27.88" D x 24.88" H. Base consists of a cabinet box with a matching back panel that serves as the back wall.

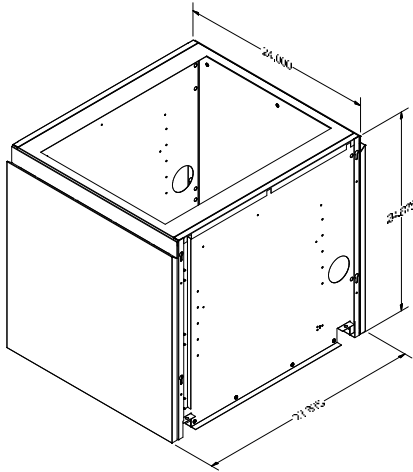
Designed to accommodate the Summit SDR301OS Drawer Refrigerator (appliance sourced separately). An Elements overlay panel is to be attached to the refrigerator to achieve a fully integrated cabinet appearance.

## SKU

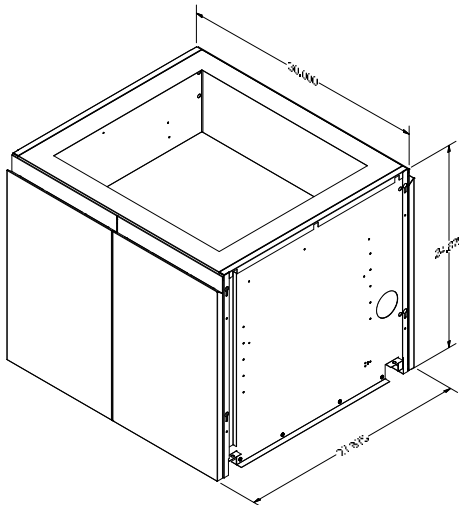
ELEM OBR3310

# Elements - Sink Bases & Trash Bases

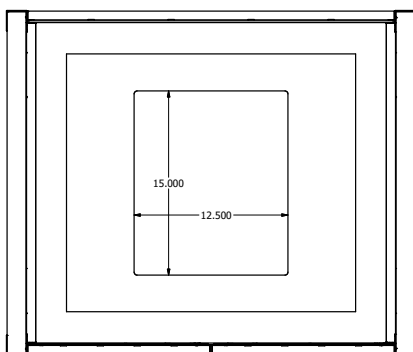
[Return to Table of Contents](#)



ELEM OBS2401



ELEM OBS3002



ELEM-OBSxxxx Sink Base Bottom Cutout

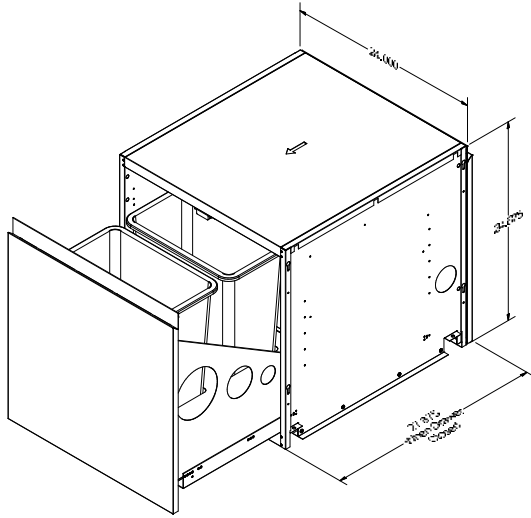
Product Description
ELEM OBS: ELEMENTS - Sink Base, 27.88"D consisting of front, cabinet box, and included back panel. 1 Full-Height Door. 24.88"H cabinet box, 34.5"H standard total height, 32.00"H ADA height.
SKU
ELEM OBS1501-FHD-LH
ELEM OBS1501-FHD-RH
ELEM OBS1801-FHD-LH
ELEM OBS1801-FHD-RH
ELEM OBS2101-FHD-LH
ELEM OBS2101-FHD-RH
ELEM OBS2401-FHD-LH
ELEM OBS2401-FHD-RH

Product Description
ELEM OBS: ELEMENTS - Sink Base, 27.88"D consisting of front, cabinet box, and included back panel. 2 Full-Height Doors. 24.88"H cabinet box, 34.5"H standard total height, 32.00"H ADA height.
SKU
ELEM OBS3002-FHD
ELEM OBS3602-FHD

**Note:** Sink Base Bottom Cutout applies to all ELEM-OBS cabinets.

# Elements - Trash Bases

[Return to Table of Contents](#)

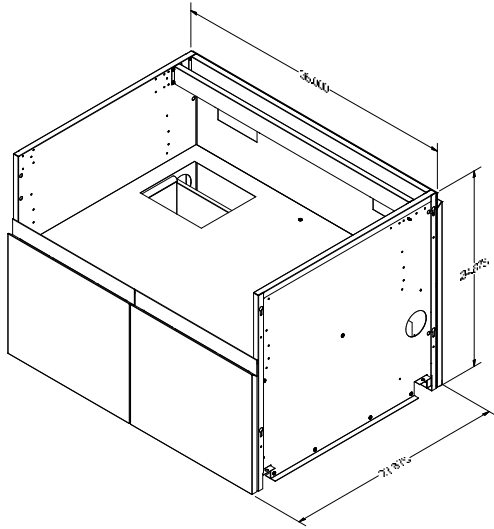


ELEM OBT2400

Product Description
ELEM OBT: ELEMENTS - 15"W Base, 27.88"D consisting of front, cabinet box, and included back panel. Trash Cabinet, 1 Full-Height Door attached to Trash Pull mechanism. 24.88"H cabinet box, 34.5"H standard total height, 32.00"H ADA height.
SKU
ELEM OBT1500
ELEM OBT1800
ELEM OBT2100
ELEM OBT2400

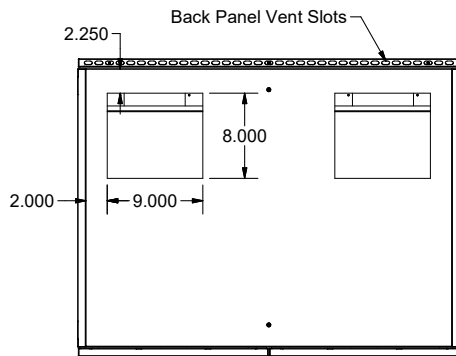
# Elements - Grill Cabinets

[Return to Table of Contents](#)

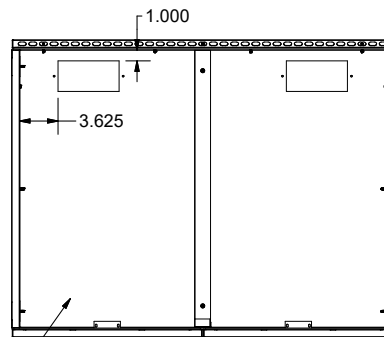


ELEM OGB3620

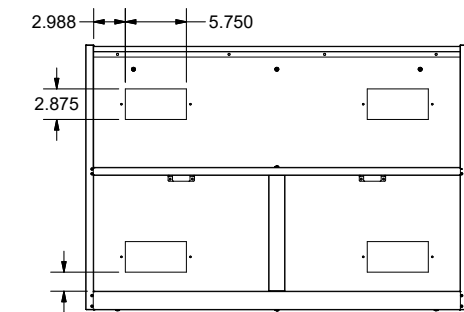
Product Description
ELEM OGB: ELEMENTS - Grill Base, 27.88"D consisting of front, cabinet box, and included back panel. 2 Drawers, 11.50" from top of cabinet to Grill Shelf. 24.88"H cabinet box, 34.5"H standard total height, 32.00"H ADA height.
SKU
ELEM OGB3320
ELEM OGB3620
ELEM OGB3920
ELEM OGB4220
ELEM OGB4520
ELEM OGB4820



Top View  
Shown With Shelf



Top View  
Shown Without Shelf

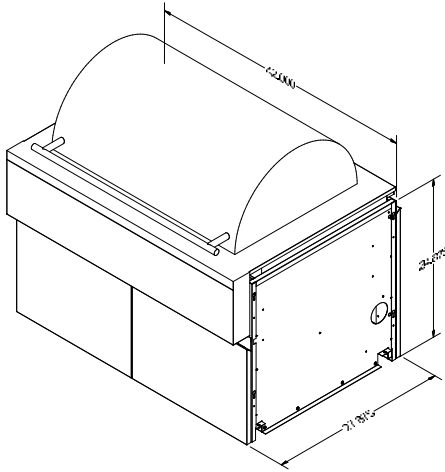


Front View

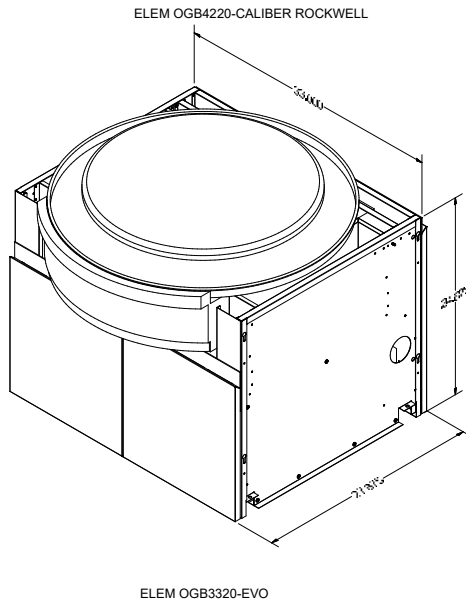
**ELEM-OGB3620**

# Elements - Grill Cabinets: Caliber & Evo

[Return to Table of Contents](#)



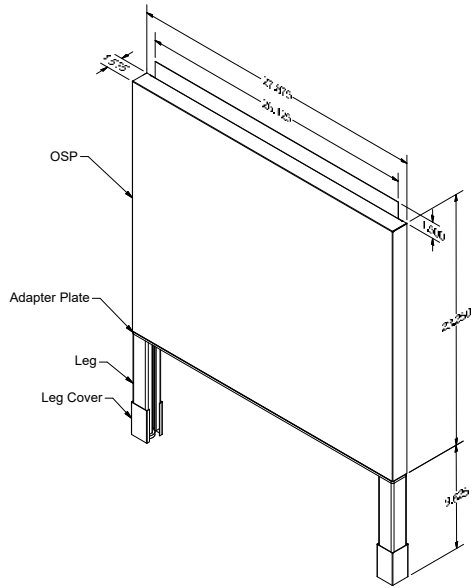
Product Description
ELEM OGB: ELEMENTS - 42"W Grill Base, 27.88"D consisting of front, cabinet box, and included back panel. 2 Drawers, *FOR 42"W CALIBER ROCKWELL GRILL ONLY* **this cabinet cannot be used on the end of a run, please call sales rep to discuss* 24.88"H cabinet box, 34.5"H standard total height, 32.00"H ADA height.
SKU
ELEM OGB4220-CALIBER ROCKWELL
ELEM OGB4820-CALIBER ROCKWELL



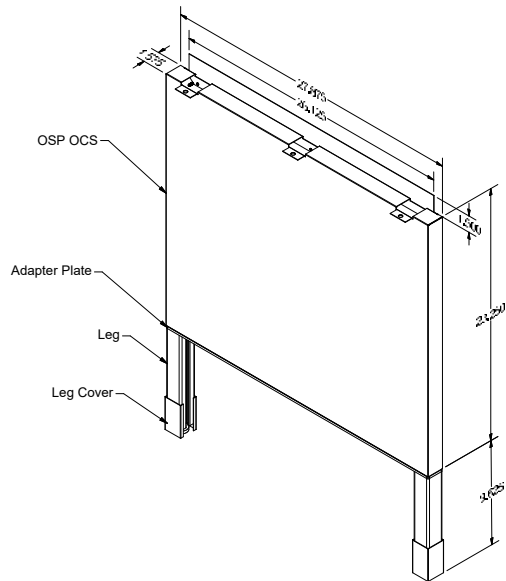
Product Description
ELEM OGB3320-EVO - 33"W Grill Base **FOR EVO GRILL ONLY**, 27.88"D consisting of front, cabinet box, and included back panel. 2 Drawers, 11.50" from top of cabinet to Grill Shelf. 24.88"H cabinet box, 34.5"H standard total height, 32.00"H ADA height. ***Countertop height MUST be 1.25"/3 cm+!***
SKU
ELEM OGB3320-EVO

# Elements - Side Panels

[Return to Table of Contents](#)



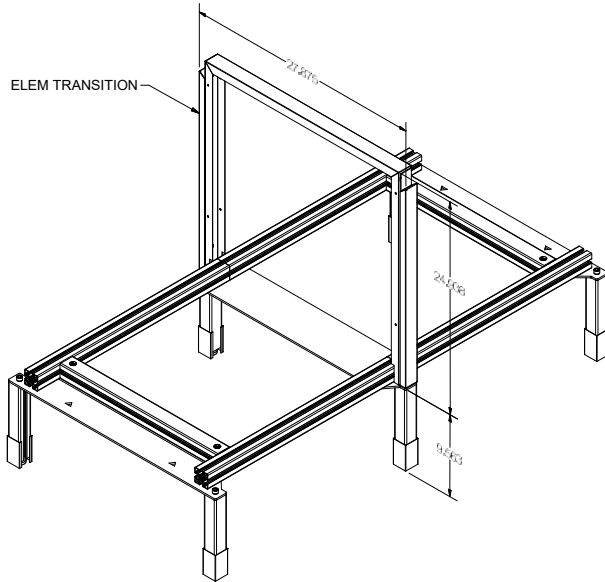
Product Description
ELEM OSP: installs on Elements OBF, OBM, OGB, OBT, OBS, and OBR cabinets*, includes set of 2 legs and adapter plate, 3" leg covers included to cover glides if desired, **legs/leg covers will be same color as cabinet fronts unless otherwise specified**. Interchangeable on either end of run.
SKU
ELEM OSP L-R



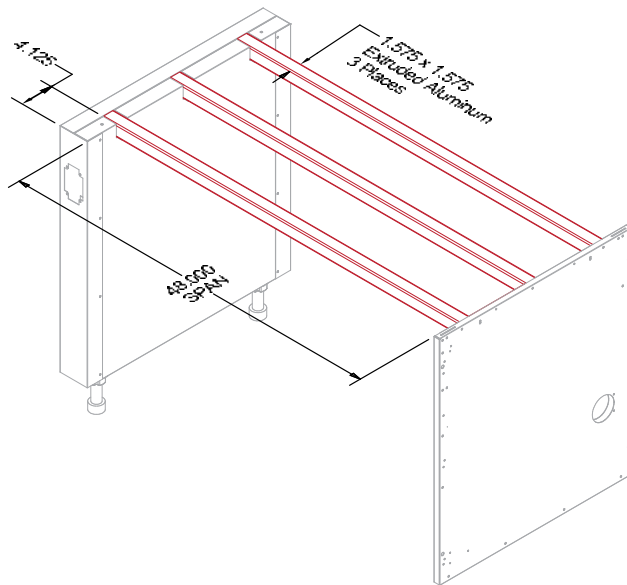
Product Description
ELEM OSP OCS: installs on Elements OBF, OBM, OGB, OBT, OBS, and OBR cabinets WITH CUTOUTS FOR EXTRUSIONS. Includes set of 2 legs and adapter plate, 3" leg covers included to cover glides if desired, **legs/leg covers will be same color as cabinet fronts unless otherwise specified**. Interchangeable on either end of run.
SKU
ELEM OSP L-R OCS

# Elements - Transition & OCS Countertop Support

[Return to Table of Contents](#)



Product Description
ELEM TRANSITION: 1.575" Thick with matching reveal, includes 2 legs and adapter plate, used for connecting two runs of Elements cabinets (Segments of cabinet runs cannot exceed 66"W without a Transition or ELEM OSP, any combination of Non-Appliance cabinets can be used to add up to 66"W), Countertop support spacers are cut 1.5" longer than size listed to fit inside adjacent supports by .75". *legs/leg covers will be same color as cabinets unless otherwise specified*, 3" leg covers included to cover glides if desired
SKU
ELEM TRANSITION



Note: see regular OCS specs for additional part details.

Product Description
ELEM OCS: Brace kit to support countertop over a 30" span. Countertop support spacers are cut 1.5" longer than size listed to fit inside adjacent supports by .75". Consists of 3 aluminum extrusions to provide considerable support. Note: span extrusions are very durable. Danver does not warranty the spans to keep counter tops from cracking if mistreated during use. The fabricator/installer must determine if there are any stability issues across a span.
SKU
ELEM OCS30
ELEM OCS33
ELEM OCS36
ELEM OCS39
ELEM OCS42
ELEM OCS45
ELEM OCS48

